



STLC1502

VOICE OVER IP PROCESSOR

1.0 GENERAL DESCRIPTION

STMicroelectronics' STLC1502 is a high performance VoIP processor specially targeted for the time effective design of IP-Phones and analog gateway applications bundled with a comprehensive embedded software solution.

When used in the Enterprise LAN IP Phone space, this device enables the augmentation and replacement of traditional telephone systems with network based communications systems running over local and wide area IP networks. To design an IP phone, the only other parts required will be an analog interface, some optional Flash memory for upgradable software and Fast Ethernet physical layer devices. The ST complete IP Phone reference design includes standards compliant Application Programming Interfaces (APIs), protocol management software and software development tools.

The STLC1502 also has all the proper interfaces to be a cost effective solution for Small Gateway applications. ST also offer a complete SW reference design for Small Gateway applications.

Hence, the STLC1502 enables a superior and cost effective platform development for IP-phones as well as voice gateway applications, providing developers with a low risk, rapid time to market solution.

The STLC1502 integrates low power D950 DSP with a ARM7/TDMI MCU and a dual port 10/100 Base-T switched Ethernet media access control interface.

The main characteristics of the STLC1502 IP processor are as follows:

- HCMOS7 technology
- Power supply: Core 2.5 V and I/O: 3.3 V
- Industry standard 32-bit RISC microprocessor (ARM7/TDMI core)



- 16-bit, fixed point 120 MIPS DSP (D950)
- Two 10/100 Base-T Ethernet MACs
- VLAN support
- Ethernet Bridge
- JTAG
- Smart power management

2.0 REFERENCE SOFTWARE FEATURES

Some of the features of the SW provided are:

ARM7/TDMI

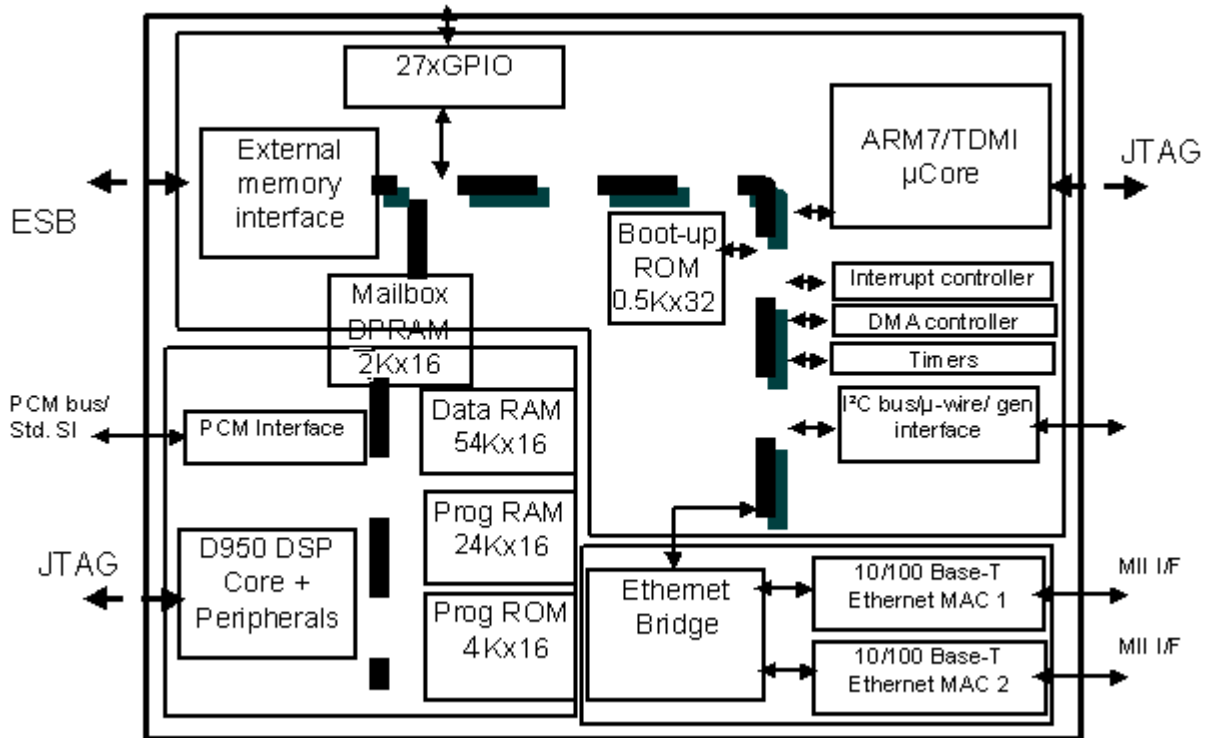
- Industry standard Real time OS: VxWorks
- Network Protocol Stack
- TCP/IP, UDP, TFTP, DHCP, HTTP server
- Ethernet/PC communication drivers
- High Level Chip Control
- Stack management
 - SNMP (optional)
 - Application Specific MIBS
- Signalling Protocol
 - MGCP, H.323 (including H.450), SIP

D950 Voice Codec Unit (VCU) features:

- G.711 Packetized PCM
- G.729AB, 8kbps CS-ACELP
- G.726, 16-40 kbps ADPCM
- G.723.1a, 6.3/5.3 kbps MP-MLQ
- Encoding and decoding of PCM sample frames
- Packing/unpacking of compressed information in Codewords
- Fax Modem : T.38 Fax Relay, V.21, V.17, V.27ter and V.29 fax datapump

- Data Modem: V.34 datapump
- Rate selection
- High performance voice activity detector (VAD)
- Comfort noise generator (CNG)
- G.165 32 ms Line & acoustic echo canceller
- Low latency system implementation

Figure 1: Block diagram



3.0 SYSTEM OVERVIEW

Three main blocks can be identified in the device architecture: ARM domain, the D950 domain and the Clocks tree domain.

3.1 ARM7 domain

The ARM domain is a multibus microprocessor system based on the ARM7TDMI processor.

- The system bus is based on the Advanced Microcontroller Bus Architecture (AMBA) that includes two distinct buses:
 - The Advanced High performance Bus (AHB) for high performances system modules
 - The Advanced Peripheral Bus (APB) for low power peripherals.
- A high speed 32 bit data bus is provided to connect external memories.
- A controller for external static memory (ESM) and a controller for external dynamic memory (EDM) are provided.
- Static memories, like FLASH EPROM, SRAM and dynamic memories like EDO, SDRAM, can be

connected on the same external 32 bits high speed bus

- Two MII interfaces can hook directly to two 10/100 Ethernet PHYs
- Internal control hardware manages the switching and MAC processing of frames on the two Ethernet ports
- Standard serial communication ports are available for easy device connection
- The SPI port is mainly dedicated to the CODEC control. It is compatible with the STM codecs STLC5046, STLC5048, STW5093. It is a standard SPI port and other peripherals can be connected to it beside the codec
- I2C port can be use to connect a LCD driver in case of IP-phone application, and a serial EEPROM for boot coded and configuration data storage
- GPIO block includes as an alternative function a scanning key encoder for direct interface with a 6x6 keypad matrix
- Debouncing function is performed, so no overhead for the ARM controller is introduced
- UART port allows connection to a host terminal. Code downloaded through UART can be performed during boot
- A Host Processor Interface (HPI) allows direct connection of an external control processor. The interface is directly compatible with the Motorola MPC850 external bus

3.2 D950 domain

The D950 domain is a DSP machine based on the D950 core.

- The D950 core is based on Harvard architecture with separate buses for instruction (I-bus) and data (X-bus, Y-bus)
- The internal ROM runs basic system management code and standard vocoders G711,G723.1A,G729AB that are included in the H.323 specification
- Additional vocoders and algorithms are downloaded from the ARM side through the DPRAM
- External CODEC is connected with a standard four wires PCM bus interface
- JTAG and emulation port are available for system software/hardware testing
- DPRAM is used as a communication channel between the ARM and D950
- Control messages and voice packets are exchanged through the DPRAM
- Fax over IP support

3.3 Clock Domain

Three main clock domains are present:

- D950 and peripherals (100 MHz max)
- ARM7 and peripherals (60 MHz max)
- PCM (8.192 MHz max)

The clock base is provided by a fixed external 25MHz crystal/oscillator. A 25MHz clock output can be used as a master clock for external Ethernet PHY devices, in 10BaseT operation.

NOTE: For 100BaseT operation, this clock may not be sufficiently stable with tight jitter requirements. Thus the PHY's may need their own 25 MHz crystal.

Internal PLL's provide independent clocks to the D950 and ARM7 domain.

The ARM frequency is set by external pin, that selects between 50 MHz and 60 MHz.

The D950 frequency can be set by the ARM via Status register programming.

Four possible values are provided:

100 MHz
180 MHz
190 MHz

200 MHz

To change the D950 master clock frequency the following procedure must be followed:

- 1) Disable the D950 clock, by resetting the DCLK bit in the control register of the MISC Control register.
- 2) Wait 10 ARM cycles
- 3) Select a new D950 master clock, by writing the MISC Status register.
- 4) Wait 4 ms
- 5) Disable the D950 clock, by setting the DCLK bit in the MISC Control register.

An Internal divider provides an internal PCM clock, 2083 KHz, that is not exactly the standard 2048 KHz.
- An external PCM clock frequency can be applied using a dedicated crystal or oscillator, to provide exactly 8KHz synch and sampling clock on the PCM bus. (External pins configuration Testsel[3:0] at [0011]).

The PCM clock rate can be selected via software to achieve the following values:

1536 (24 Ch.) 2048 (32 Ch.) 4096 (64 Ch.) 8192 KHz (128 Ch.).

- The PCM clock and Frame synch signals can be selected as inputs or outputs, by programming the control register in the miscellaneous block.

4.0 Pin Descriptions

The STLC1502 will be delivered in:

- PQFP 208 Pins

Figure 2: 208-Pin PQFP



4.1 Pin Description Table

Pin	Pin Name	Pin Description/Note	Pin Drive	Pin Type
Clocks, Reset				
41	xtalin	25 MHz crystal input Master clock or DSP clock in PLL bypass mode		I
42	xtalout	25 MHz crystal feedback		O
43	pxtalin	8.192 MHz crystal input PCM I/F Clock or PCM input clock in PLL bypass mode		I

Pin	Pin Name	Pin Description/Note	Pin Drive	Pin Type
44	pxtalout	8.192 MHz crystal feedback		O
45	edmick	SDRAM feedback clock (input)	8mA	I/O
46	testarmclk	ARM clock in bypass mode		I
52	selarmfreq	Selects ARM PII Vco frequency		I
53	rstn	Asynchronous Master Reset Input		I
188	clkout	25MHz master clock out	4mA	O
Miscellaneous				
47	bootsel_treqa	Boot selection: Select internal [1] or external [0] booting ROM. If proper test configuration has been selected, then signal assumes Tic request A functionality		I
118	hpiisel	Select between HPI[1] or GPIO_KBD IF [0]		I
Memory I/F (shared signals)				
125, 126, 127, 129, 130, 131, 133, 134, 135, 136, 137, 138, 140, 141	add[0..13]	Memory address bus. For Dynamic RAM, they are the whole address, whereas for static, they are the LSBs addresses. At power up or hardware reset all address values are 0	4mA	O
62, 63, 64, 65, 66, 69, 70, 71, 72, 73, 74, 75, 77, 78, 79, 81, 82, 84, 85, 86, 88, 89, 91, 92, 93, 95, 96, 98, 99, 100, 102, 103	data[0..31]	Memory data bus, to exchange data between memory controller and external memories	8mA	I/O
2, 3, 4, 5	wenbsn[0..3]	Write byte enable for external static RAM or byte strobe for dynamic external RAM	8mA	O
6	oen	Output enable for static/dynamic external RAM. At power up or hardware reset, the signal will be asserted if the external booting (bootsel = '1') has been selected	8mA	O
ESM (specific controls)				
142, 144, 145, 146, 148, 149, 150, 152	add[14..21]	Memory address bus' MSBs. They complete the ESM addressability. A total of 4Mbyte external (FLASH/SRAM) address space is addressed by the STLC1502 device. At the first fetch of instruction after power_up or hardware reset, all address values are '0'	4mA	O

Pin	Pin Name	Pin Description/Note	Pin Drive	Pin Type
153, 154, 155	esmcs[0..2]n	Chip select [0..2] for external memory (FLASH/SRAM). At power up or hardware reset, if external boot ROM has been selected, (bootsel = '1') the signal is asserted during the fetch instruction, else the selection depends on internal address mapping	4mA	O
61	ecs0width	External FLASH/SRAM Data bus size: if settled to 'L', select a 8 bit parallelism data.		I
EDM (specific controls)				
156, 158, 159, 160	edmcns[0..3]	Chip select for SDRAM or RAS for EDO DRAM	8mA	O
161	edmclken	SDRAM clock enable	8mA	O
162	edmoclck	SDRAM output clock	8mA	O
165	edmras	SDRAM ras command	8mA	O
166	edmcas	SDRAM cas command	8mA	O
167	edmwe	SDRAM we command	8mA	O
MII Interface Port # 1				
168	mii1_txen	Transmit enable	4mA	O
169	mii1_txclk	Transmit clock reference for txd, txen, txer		I
170, 171, 174, 175	mii1_txd[0..3]	Transmit data bus	4mA	O
176	mii1_rxclk	Receive clock reference for rxd, rxdv, rxer		I
177	mii1_rxdv	Receive data valid		I
178	mii1_rxer	Receive error signal, indicates an error condition on receiving data		I
181, 182, 183, 184	mii1_rxd[0..3]	Receive data bus		I
185	mii1_col	Collision signal		I
186	mii1_crs	Carrier sense indication		I
MII Interface Port # 2				
193	mii2_txclk	Transmit clock reference for txd, txen, txer		I
194	mii2_txen	Transmit enable	4mA	O
195, 196, 197, 198	mii2_txd[0..3]	Transmit data bus	4mA	O

Pin	Pin Name	Pin Description/Note	Pin Drive	Pin Type
200	mii2_rxclk	Receive clock reference for rxd, rxdv, rxer		I
201	mii2_rxdv	Receive data valid		I
202	mii2_rxer	Receive error signal, indicates an error condition on receiving data		I
203, 204, 205, 206	mii2_rxd[0..3]	Receive data bus		I
207	mii2_col	Collision signal		I
208	mii2_crs	Carrier sense indication		I
PHY I/F Management				
189	mdc	MII management clock	4mA	O
190	mdio	MII management data i/o	4mA	I/O
UART I/F				
112	sin	Serial data input		I
113	sout	Serial data output	2mA	O
I2C I/F				
116	scl	I2C clock	2mA	I/O
117	sda	I2C data	2mA	I/O
PCM I/F				
104	pdx	PCM Downstream data		I
105	pdr	PCM Upstream data	2mA	O
106	pfs	PCM Input/Output Frame synchronization	2mA	I/O
107	pdv	PCM Input/Output Data clock	4mA	I/O
SPI I/F				
109	sck	SPI interface Clock	2mA	O
110	smi	SPI master data input		I
111	smo	SPI master data output	2mA	O
KBD/GPIO/HPI I/F				
9	gpio0_r1_hpdata0	GPIO[0] or keypad matrix row 1 or Hpdata[0]	4mA	I/O
10	gpio1_r2_hpdata1	GPIO[1] or keypad matrix row 2 or Hpdata[1]	4mA	I/O
11	gpio2_r3_hpdata2	GPIO[2] or keypad matrix row 3 or Hpdata[2]	4mA	I/O

Pin	Pin Name	Pin Description/Note	Pin Drive	Pin Type
14	gpio3_r4_hpdata3	GPIO[3] or keypad matrix row 4 or Hpdata[3]	4mA	I/O
15	gpio4_r5_hpdata4	GPIO[4] or keypad matrix row 5 or Hpdata[4]	4mA	I/O
16	gpio5_r6_hpdata5	GPIO[5] or keypad matrix row 6 or Hpdata[5]	4mA	I/O
17	gpio6_c1_hpdata6	GPIO[6] or keypad matrix col 1 or Hpdata[6]	2mA	I/O
18	gpio7_c2_hpdata7	GPIO[7] or keypad matrix col 2 or Hpdata[7]	2mA	I/O
19	gpio8_c3_hpiadr0	GPIO[8] or keypad matrix col 3 or Hpiadr[0]	2mA	I/O
20	gpio9_c4_hpiadr1	GPIO[9] or keypad matrix col 4 or Hpiadr[1]	2mA	I/O
23	gpio10_c5_hpiadr2	GPIO[10] or keypad matrix col 5 or Hpiadr[2]	2mA	I/O
24	gpio11_c6_hpick	GPIO[11] or keypad matrix col 6 or Hpick input	2mA	I/O
25	gpio12_dreq	GPIO[12] or Dma input request (software selection)	2mA	I/O
26	gpio13_dack	GPIO[13] or Dma output acknowledge (software selection)	2mA	I/O
27	gpio14_hpics_d950idle	GPIO[14] or Hpi Chip Select (active low) or D950 emulator output idle state	2mA	I/O
28	gpio15_hpias_d950snap	GPIO[15] or Hpi Address Strobe (active low) or D950 snap output state	2mA	I/O
29	gpio16_hpirw_treqb	GPIO[16] or Hpi Read (active high) Write (active low) strobe or Tic request B input. The Tic mode is forced selecting the proper test configuration through testsel[3..0] pin	2mA	I/O
30	gpio17_hpiint_tack	GPIO[17] or Hpi Interrupt out or Tic acknowledge output. The Tic mode is forced selecting the proper test configuration through testsel[3..0] pin	2mA	I/O
33	gpio18_irq1	GPIO[18] and External interrupt input 1	2mA	I/O

Pin	Pin Name	Pin Description/Note	Pin Drive	Pin Type
34	gpio19_irq2	GPIO[19] and External interrupt input 2	2mA	I/O
Test Signal				
55, 56, 57, 58	testsel[0..3]	Test mode selection		I
Stradivarius STLC1502 and/or ARM's JTAG				
119	tdi	Data input		I
120	tdo	Data output	2mA	O
121	tms	Test mode select		I
122	tck	Clock		I
123	trstn	Jtag Input Reset		I
D950's JTAG				
35	d950tdi	Data input		I
36	d950tdo	Data output	2mA	O
37	d950tms	TMS command		I
38	d950tck	Clock		I
39	d950trstn	Reset Input		I
D950's EMU signals				
54	d950erqn	Halt request to enter emulation mode		I
Power and Ground pins				
1, 12, 21, 31, 67, 76, 83, 90, 97, 124, 132, 139, 147, 164, 180, 192, 199	vdd3	I/O Power		P
7, 13, 22, 32, 40, 51, 60, 68, 80, 87, 94, 101, 108, 115, 128, 143, 151, 157, 163, 173, 179, 191	gnd	Core ground		P
8, 48, 59, 114, 172, 187	vdd	Core Power		P
49	PLL_VSS	PLL digital ground		P
50	PLL_VDD	PLL analog power supply 2.5V		P

5.0 ARM Memory Configuration

- The AMBA bus system allows to handle memory blocks and peripherals on distinct buses, in order to optimize the AHB architecture for maximum speed.

- The memory blocks are attached to the AHB bus so ARM code can run at maximum speed.
- An internal ROM is used to store boot code that polls serial peripherals (I2C EEPROM, UART) and HPI for code download in external RAM. After download, the control is given to code in external RAM.
- An internal RAM is used to store ARM7 interrupt vectors and some data (network frames)
- Four external memory types can be connected.
 - Flash
 - SRAM
 - DRAM (SDRAM or EDO)
 - Serial EEPROM
- Flash, SRAM, DRAM share the same 32 bits data bus and 32 bits address bus. Little/Big endian mode is software programmable for the DRAM memory controller. Serial EEPROM can be connected to the I2C bus.
- The chip provides the option of booting from Flash or from serial EEPROM, by selection from an external BOOT_SEL pin. So different memory configurations are possible depending on the application:
 1. Flash, DRAM: The boot code including BOOTP and TFTP is stored in Flash. Application can be stored in flash also, or can be downloaded into DRAM from Ethernet Network or UART.
 2. EEPROM, DRAM: The boot is performed from internal ROM. The ROM code loads the code stored in EPROM that includes BOOTP and TFTP. Application code will be downloaded into DRAM from Ethernet or UART.
 3. Flash, DRAM, EEPROM: It is like case 1, but has more flexibility. The EEPROM can be used to store Network parameter data (MAC address) and other specific board data, so the code to store in flash is the same for all the platforms, and you do not need to split the flash in a permanent storage area and in an upgradable storage area. The EEPROM can also be used to allow the programming of the flash the first time with a code downloaded from Ethernet Network.
 4. DRAM: The boot is performed from internal ROM. The application code is downloaded from the host processor through the HPI interface. To access external memory bus an internal decoder is implemented, that can select different external memory devices. 32 bits data bus is provided with the possibility to select external accesses at 16 and 8 bits for each memory bank. For example the flash can be at 16 bits and the DRAM at 32 bits. There are 3 chip select available for static memory (4Mbytes each), 4 chip selects for dynamic memory (8Mbytes each).

5.1 ARM Memory Map

The ARM microprocessor sees 5 main memory areas.

Actually the memory map depends on the phase the microprocessor is working on:

- Boot from internal ROM phase (REMAP=0 and BOOT_SEL=0);
- Boot from external Flash phase (REMAP=0 and BOOT_SEL=1);
- Operating phase (REMAP=1).

The first two phases are alternative (only one of them happens at the power on reset, while the third happens after the boot).

6.0 AHB Bus

AHB Bus is a 32 bits data and 32 bits address bus.

6.1 Internal RAM

An internal Static RAM 2048x 32 is mapped starting at address 0x0 in operational mode and is used for ARM interrupt vector tables.

6.2 ESM interface

- The ESM (External Static Memory) interface is used to access static RAMs or Flash devices. It provides 3 chip select signals and gives external access to 21 address bits, so that the memory space accessible through each chip select is 4 Mbytes.
- The data bus on ESM external interface is 32bits wide, with the additional ability to perform 16 and 8 bits accesses. Little endian byte ordering is used. The data bus and address bus pins are shared with the DRAM driver, using EBI interface.
- Programmable per chip-select wait-states from 0 to 15 internal clock cycles are available.
- At reset, every CS space has 15 wait states. The actual value is contained in the downloaded code.
- The external memory spaces are mapped by the ESM interface as reported in Figure 4.
- There are 3 addressable memory spaces 0x00400000 byte long each.

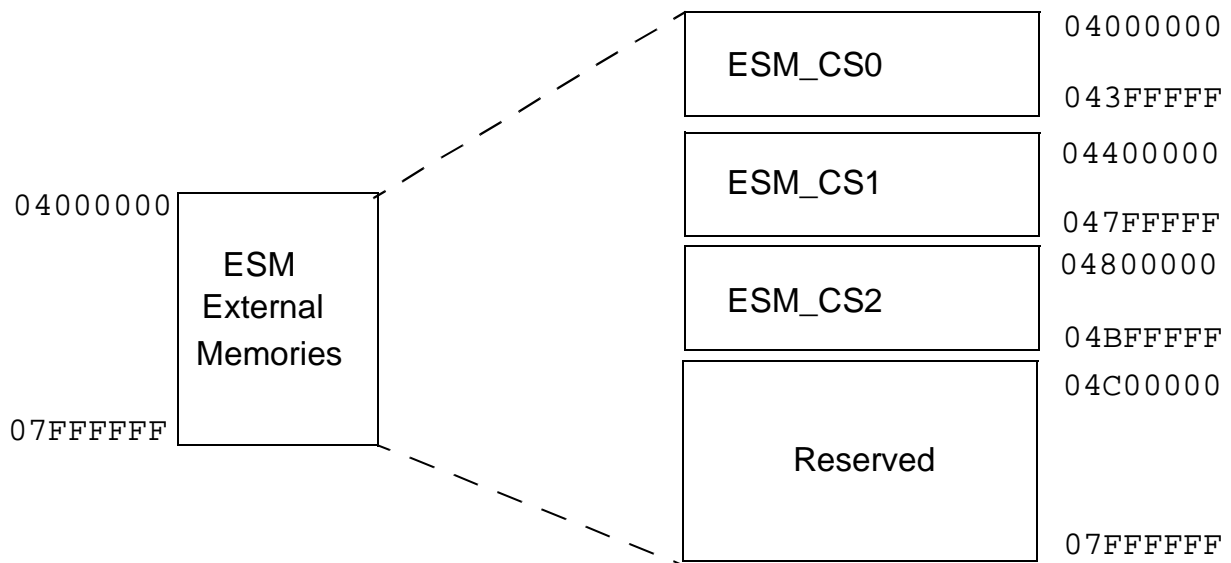


Figure 4: ESM memory map

Following is the list of the available external signals that implement SRAM or FLASH read and write cycles. Data and address buses are not shown as they are shared with the DRAM EBI interface.

NAME	Signal type	Description
$\overline{\text{ESM_CS}}(2:0)$	OUT	Chip Select. Asserted when the ESM decodes the proper address space in order to select the right external device
$\overline{\text{OE}}$	OUT	Output Enable. Asserted during a read cycle (shared with EDM)

NAME	Signal type	Description
$\overline{\text{WE}}[3:0]$	OUT	Bytes Write enable. They are used to select one/two bytes when a x16/x32 Flash/SRAM is present (shared with EDM). 0: lower byte 1: 2nd byte 2: 3rd byte 3: higher byte
ESM_CS0WIDTH	IN	This input informs whether a x8 (ESM_CS0WIDTH=0) or x16 (ESM_CS0WIDTH=1) device is present on the CS0. This information is needed the boot from external memory is selected.
A[21:0]	OUT	22 Address lines for up to 4Mbytes address space (shared with EDM A[13:0])
D[31:0]	INOUT	Data bus(shared with EDM bus)

A scheme of the ESM control interface is reported in Figure 5.

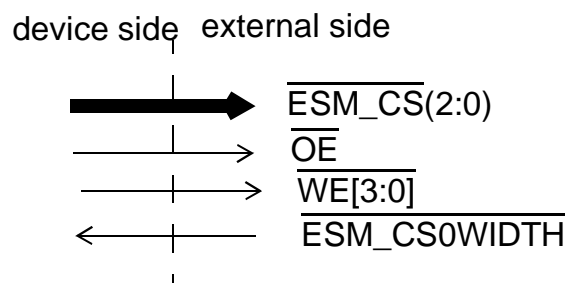


Figure 5: ESM control interface

Every CS space can be programmed through internal register (one for each CS) in order to:

- select the number of wait states to perform external access depending on the speed of the external device mapped on that memory area
- select if the data bus is x8 or x16 (available only for CS1 to CS2). When the x8 memories are used, their data bus has to be placed on the ESM_D(7:0) signals

The wait states number for the external memories (depending on memory access time) is obtained from the software code during the download phase. During the initialization phase, it is the responsibility of the software to determine if a SRAM or a FLASH is present or not on a given CS space and the width of CS1-2 memories (if

present).

It is possible to connect every CSx to a Dual Port SRAM and use that as a communication mailbox between the device and an external microprocessor. For example, the microprocessor can write a message in the memory using one port and can send an interrupt to the device so that the execution routine related with that interrupt can read from the other port of the memory connected to the same CSx of the ESM.

Viceversa, the ESM can write a message in the memory and then can send an interrupt to the external microprocessor that will read the message from the other port of the memory.

The SRAM and the FLASH devices that are used as references are standard.

6.2.1 ESM address decoding scheme

The ESM block includes also a decoder in order to generate the proper CS to the external device. In particular this decoder will work on the bit 22,23,24 and 25 of the internal ARM address bus.



ESM decoding scheme

6.2.2 ESM Register Map [0x0C600000]

The base address of the ESM register is 0x0C600000.

Address	Register Name	R/W	Notes
ESMBase + 0x00	CS0	R/W	CS0 bank control
ESMBase + 0x04	CS1	R/W	CS1 bank control
ESMBase + 0x08	CS2	R/W	CS2 bank control

6.3 EDM interface

The EDM interface is used to access external DRAMs. This block supports both EDO and SDRAM interfaces with enough flexibility to be used with several DRAM chips available in the market. This block has a separate bus for control (the registers are placed on the APB bus) and for data (data and address are placed on the ASB bus) and also includes an external bus interface that allows to share address and data bus pins with the static ESM interface.

Figure 6 shows a block diagram of the EDM block.

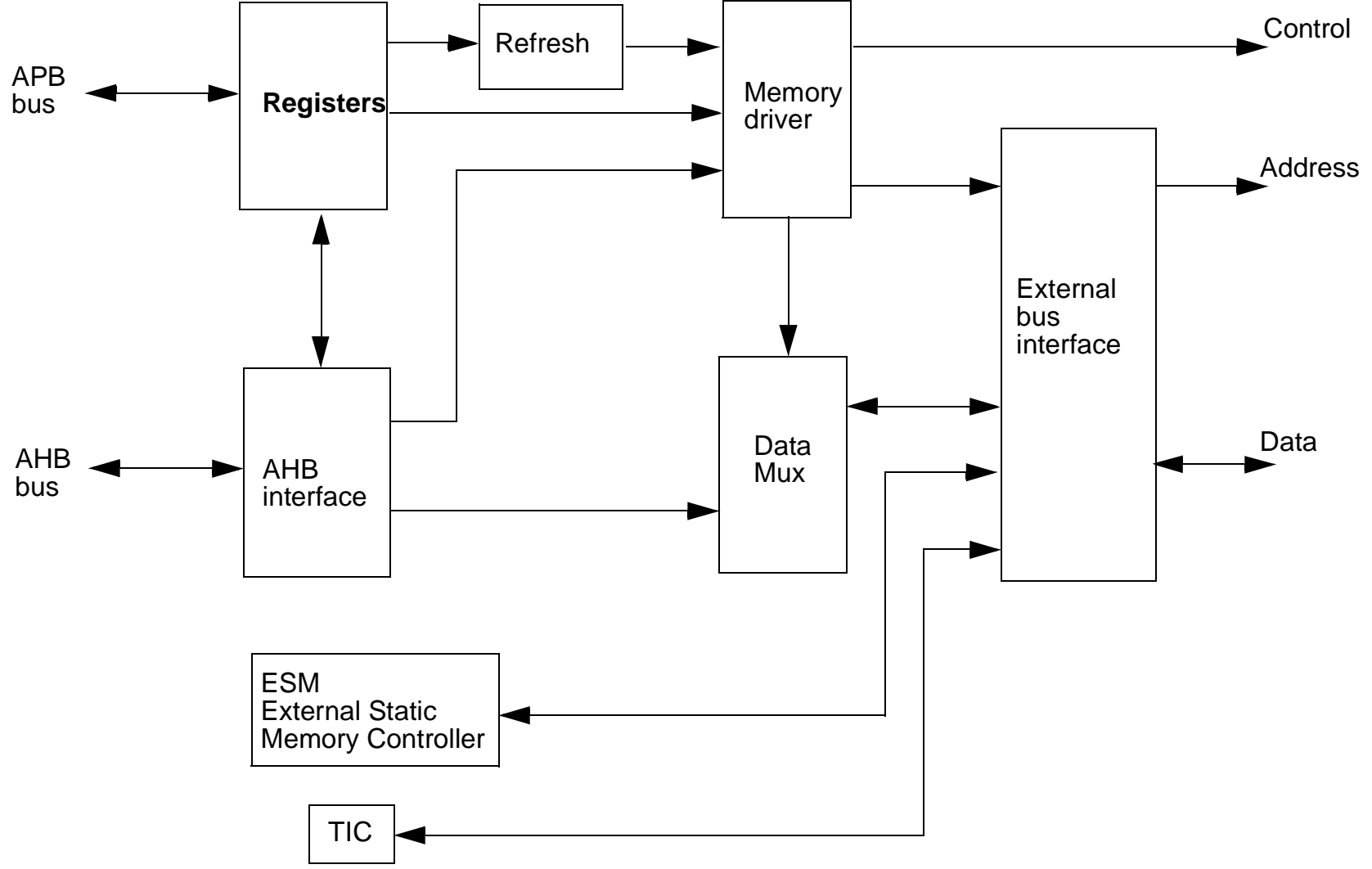


Figure 6: EDM block diagram

It is possible to connect up to 4 external chips with x8, x16, and x32 data bus. Each memory bank space is 8Mbytes big so that a standard 64Mbit DRAM device can be connected. It is not possible to use a single 32Mbytes memory device.

It is the responsibility of the ARM code to properly configure the EDM block to initialize the DRAM at startup. The external memory is mapped by the EDM interface as shown in Fig. 7.

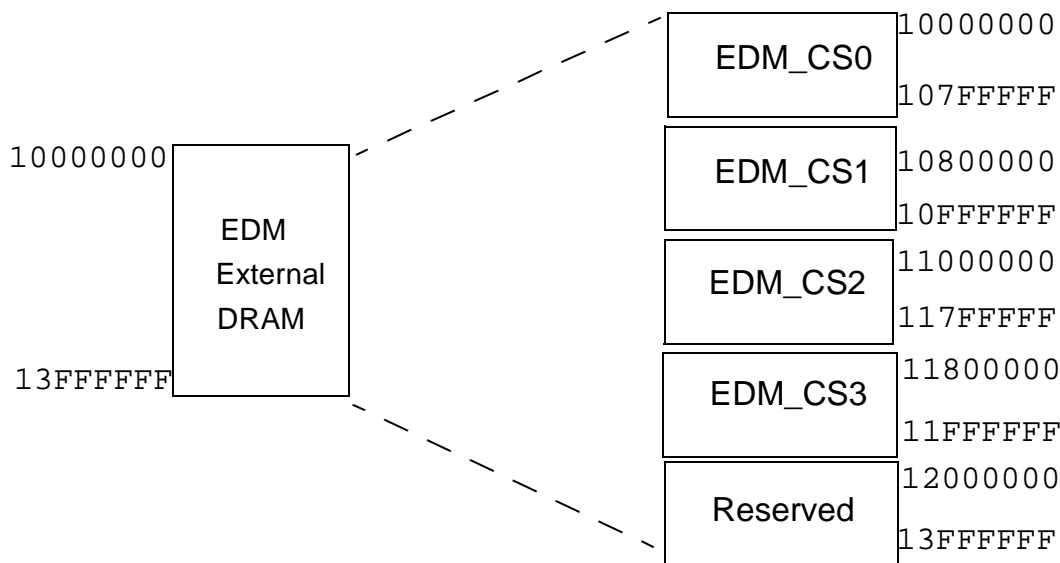


Figure 7: EDM memory map

In the following table there is the list of the available external signals of the EDM interface.

NAME	Signal type	Description
EDM_CS(3:0)	OUT	Chip Select. Asserted when the EDM decodes the proper address space in order to select the right external device. To be connected to RAS signal in case of use of EDO memories
EDM_CLK	OUT	SDRAM Memory clock (same as ARM clock). Not used with EDO.
$\overline{\text{EDM_CLKEN}}$	OUT	SDRAM clock enable. Not used with EDO.

NAME	Signal type	Description
$\overline{\text{EDM_RAS}}$	OUT	SDRAM RAS signal. Not used with EDO.
$\overline{\text{EDM_CAS}}$	OUT	SDRAM CAS signal. Not used with EDO
$\overline{\text{OEN}}$	OUT	SRAM Output Enable. Not used with SDRAM
$\overline{\text{EDM_WE}}$	OUT	DRAM Write Enable
$\overline{\text{EDM_BS(3:0)}}$	OUT	SDRAM byte strobe. CAS when EDO memories are used
EDM_A(21::0)	OUT	DRAM address lines, only 14 lines are driven.. Lines.21:14 are driven by static memory controller
EDM_D(31:0)	INOUT	DRAM data lines, shared with static memory controller lines.

The EDM block includes a decoder in order to generate proper CS to the external device. In particular this decoder will work on bits 25 and 26 of internal ARM address bus.



EDM decoding scheme

- Every CS space can be programmed through internal register in order to configure the EDM to work with the proper external device
- The DRAM Controller has nine registers, the configuration register, four bank registers and four SDRAM configuration registers. The registers are accesses via the APB bus. The register data path is 16 bits wide.

6.3.1 EDM Register Map [0x0C580000]

- The base address of the EDM register is 0x0C580000

Address	Register Name	R/W	Notes
EDMBase + 0x00	MB1Config	R/W	Memory Bank 1 Configuration Register
EDMBase + 0x04	MB2Config	R/W	Memory Bank 2 Configuration Register

Address	Register Name	R/W	Notes
EDMBase + 0x08	MB3Config	R/W	Memory Bank 3 Configuration Register
EDMBase + 0x0C	MB4Config	R/W	Memory Bank 4 Configuration Register
EDMBase + 0x10	SDRAM1ConfigLo	WO	Memory Bank 1 Low SDRAM Configuration Register
EDMBase + 0x14	SDRAM1ConfigHi	WO	Memory Bank 1 High SDRAM Configuration Register
EDMBase + 0x18	SDRAM2ConfigLo	WO	Memory Bank 2 Low SDRAM Configuration Register
EDMBase + 0x1C	SDRAM2ConfigHi	WO	Memory Bank 2 High SDRAM Configuration Register
EDMBase + 0x20	SDRAM3ConfigLo	WO	Memory Bank 3 Low SDRAM Configuration Register
EDMBase + 0x24	SDRAM3ConfigHi	WO	Memory Bank 3 High SDRAM Configuration Register
EDMBase + 0x28	SDRAM4ConfigLo	WO	Memory Bank 4Low SDRAM Configuration Register
EDMBase + 0x2C	SDRAM4ConfigHi	WO	Memory Bank 4 High SDRAM Configuration Register
EDMBase + 0x30	MemConfig	R/W	Memory Configuration Register

6.3.1.1 Memory Bank Configuration registers

Memory bank configuration registers are used to setup memory bank specific parameters:

15	14	13	12	11	10	9	8	7	6	5	4	3	2	1	0
Reserved				DEVWID		DATA-LAT		SETUP TIME			IDLETIME			SDRAM-COL	

DEVWID: Device Width

- Defines the data width of the external memory device:
- 00 - Byte (8 bit)
- 01 - Half Word (16 bit)
- 10 - Word (32 bit)

DATALAT: Data Latency

- Defines the number of memory clock cycles between the start of a memory read access and the first valid data.
- The DATALAT value is valid between 0 and 3.

SETUPTIME: Setup Time

- Defines the number of memory clock cycles the memory driver spends in the DECODE state before accessing the external memory.
- The SETUPTIME value is valid between 0 and 7.

IDLETIME: Idle Time

- Defines the minimum time the memory driver must spend in the IDLE state following memory accesses.
- The value defines the number of Memory Clock cycles.
- The IDLETIME value is valid between 0 and 7.

SDRAMCOL: SDRAM Column Width Definition

- Specifies the width of the SDRAM column address:
- 00 - 8 bits
- 01 - 9 bits
- 10 - 10 bits
- 11 - reserved

6.3.1.2 SDRAM Configuration registers

These registers are write only. A write access to the high registers will start the SDRAM configuration cycle, during which the value written to the register will be asserted on the memory bus for a one clock period.

Low SDRAM Configuration Registers

15	14	13	12	11	10	9	8	7	6	5	4	3	2	1	0
Reserved		MIAB													

MIAB: Memory Interface Address Bus

High SDRAM Configuration Registers

15	14	13	12	11	10	9	8	7	6	5	4	3	2	1	0
Reserved												MIVE	MIAA	MISA	

MIAB: Memory Interface Address Bus
MIWE: Memory Interface Write Enable
MIAA: Memory Interface Access Active (nCAS)
MISA: Memory Interface Setup Active (nRAS)

After the power-up the CPU must configure each SDRAM device, i.e. perform precharge-refresh-mode register set procedure.

6.3.1.3 Memory Configuration register

Memory configuration registers are used to setup parameters that are same for all banks:

15	14	13	12	11	10	9	8	7	6	5	4	3	2	1	0
Reserved		PWS	TYPE	B3EN	B2EN	B1EN	B0EN	REFR							

PWS: Power save mode

- If PWS bit is set to '1', the next refresh cycle will set the memory devices in the self-refresh mode.
- The memories will exit the self-refresh mode, when the PWS mode is set to '0'.

TYPE: Memory type:

- The TYPE bit is used to select a type of the external memory.
- 1 - SDRAM
- 0 - EDO

B3EN: Bank 3 enable

B2EN: Bank 2 enable

B1EN: Bank 1 enable

B0EN: Bank 0 enable

- The bank enable bits are used to enable each bank separately.
- If an AHB transfer is accessing a disabled bank, the DRAM Controller will return the error response to the AHB master.

REFR: Refresh period

- The REFR value is used to determine the refresh period. The period can be set in the 1 us steps.
- REFR Refresh Period
- 00000000 Refresh is disabled
- 00000001 Refresh period is 1us
- 00000010 Refresh period is 2us
- .
- 11111111 Refresh period is 255us

6.4 DMA Controller

- The DMA controller is intended to be used with the Ethernet switch block to transfer Ethernet frames between the Ethernet switch buffers and memory.
- The DMAC needs initialization before starting operation. During operation it does not need interven-

tion from the ARM controller.

- In receive, when the complete frame is stored in memory, the DMAC asserts the interrupt for the ARM that can read the frame.
- In transmit the DMAC provides an interrupt when the complete frame is transferred.

6.5 Ethernet Switch

The Ethernet switch block interfaces two MAC cores to implement a 3-port Ethernet Fast switch and MAC layer for the Embedded VoIP network software.

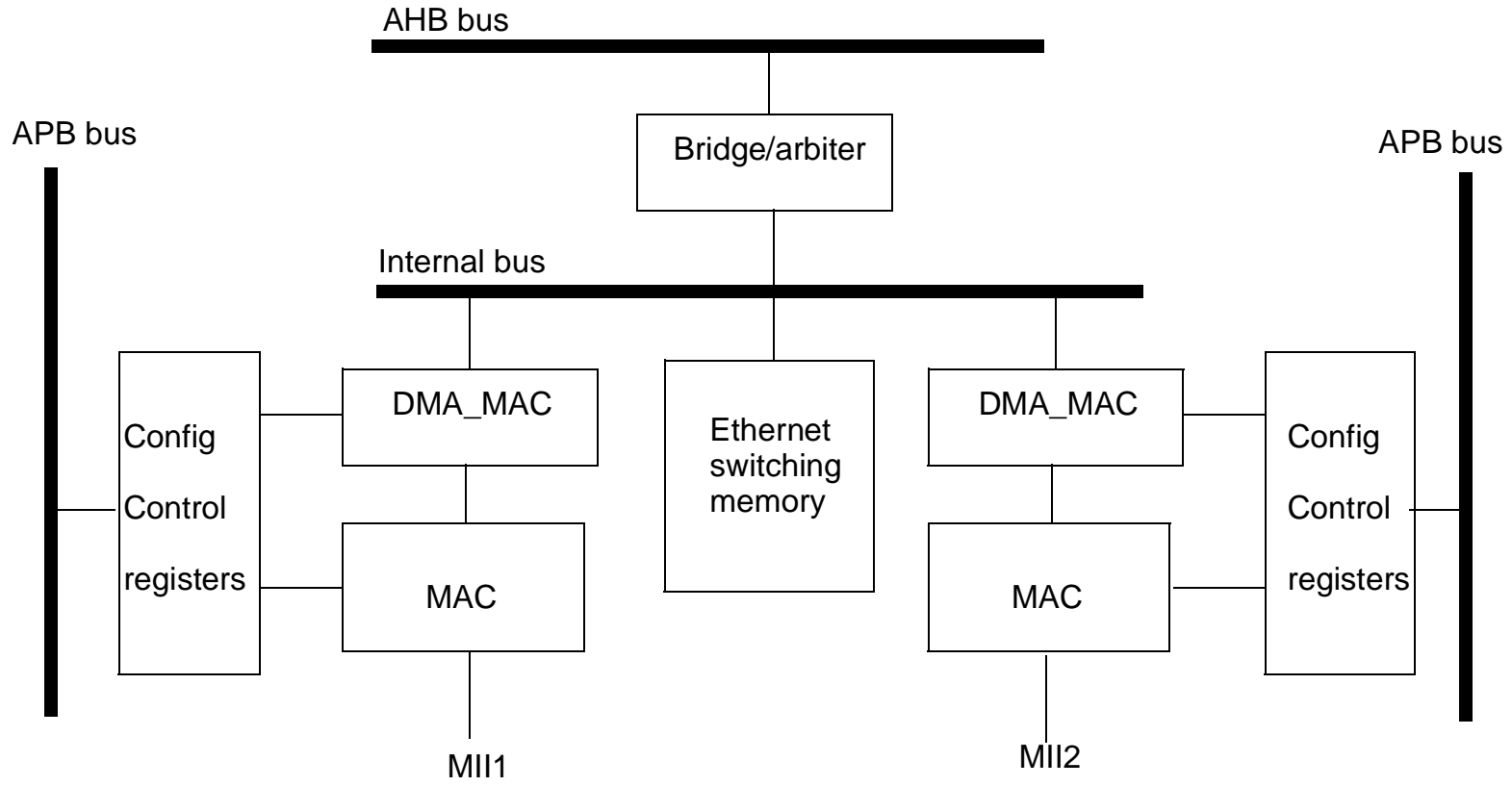
Main features of the block are:

- Internal FIFOs for easy DMA transfers.
- Full duplex support using separate Tx, Rx FIFOs.
- Fast switching using hardware connections between the two MAC cores. ARM microcontroller is not involved in the switching function.
- Support for priority mechanism for voice packets, using store-and-forward procedure for incoming data packets.
- VLAN support
- 10/100 Mb/s data transfer rates
- The MAC cores provide 2 MII interfaces to connect two external PHYs.

The device works normally as a bidirectional switch between the two ports. When the following conditions happen the device triggers additional operations:

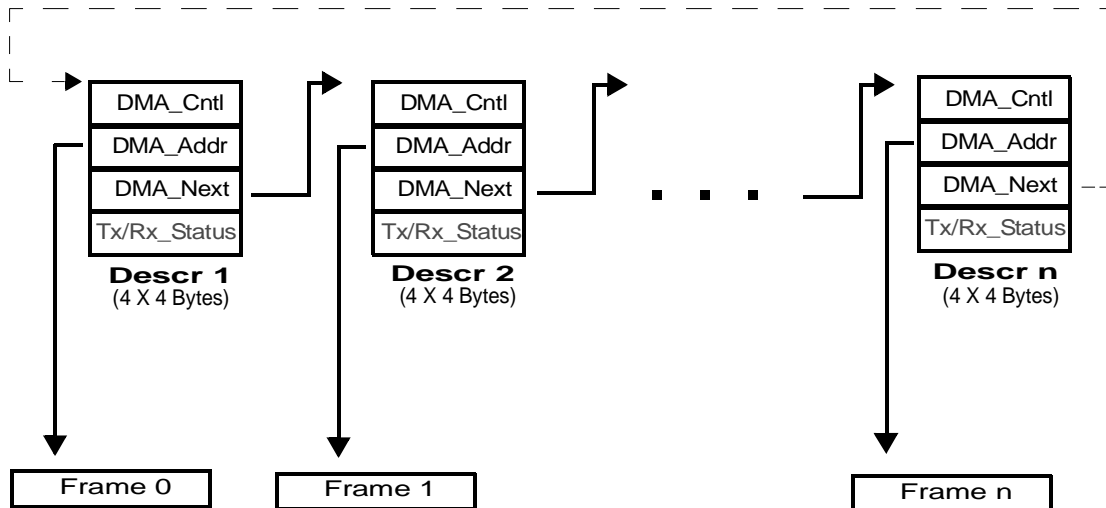
- Received frame destination MAC address matches device MAC address. The frame is transferred to memory using DMA, and is not switched to the other port.
- A frame has to be transmitted by the device. In this case the block waits for the end of the current frame being switched if any. If the frame is a voice frame, as soon as the line is free the block starts transfer of the frame. Eventual incoming frames in the same direction are stored and forwarded after the voice frame has been sent.

The block diagram of the Ethernet switch is shown below:



6.5.1 The DMA Descriptors Chain

The Descriptor list is the mean the CPU and the DMA_MAC use to communicate each other in order to transmit/receive frames on the cable. This list must be properly prepared before initiating any transfer activity to/from the cable. The Descriptor is produced by the CPU and consumed by the DMA_MAC.



- A Descriptor is a 16-bytes element which provides the DMA_MAC with information about how to transmit/receive a single frame and how to report the transfer status back to the CPU.
- A Descriptor can be stored in any main memory location with a 32-bit aligned address.
- The first 3 words stored in a Descriptor are expected to be the values of the 3 DMA_MAC registers describing a DMA transfer (DMA_Cntl, DMA_Addr and DMA_Next). When the DMA_MAC fetches a Descriptor it loads this three values into its own corresponding registers.
- The last word is to be used by the DMA_MAC to report the transfer status.

6.5.2 The Descriptor control bits

The Descriptor keeps information about a single frame transfer and how to access the next Descriptor. The following discussion is related to 3 bits of the Descriptor: the VALID bit, the NXT_EN bit and the NPOL_EN bit.

The Descriptor can be accessed simultaneously by the CPU and the DMA_MAC. This concurrent access is synchronized by the VALID bit in the DMA_Cntl register. When the VALID bit is equal to 0 then the CPU is the owner of the Descriptor. Otherwise the owner is the DMA_MAC. Since the Descriptor can be accessed in write mode by the owner only at any time, race conditions are guaranteed to never happen.

The NXT_EN bit enables the fetch of the Next Descriptor. When the DMA_MAC finds this bit set to 0 then its activity is considered to be completed as soon as the current descriptor DMA transfers have been completed.

The NPOL_EN bit enables the DMA_MAC to keep polling for a non-valid Descriptor until its VALID bit is set to one. When the DMA_MAC finds both the NPOL_EN bit and the VALID bit set to 0 then its activity is considered to be completed.

6.5.3 Transfer interrupts

The DMA_MAC can interrupt the CPU with three different levels of information about transfer completion. The CPU can choose which interrupt needs to be enabled. They do not exclude each other though; they can be all three enabled at the same time.

The TX_CURR_DONE (RX_CURR_DONE) interrupt bit reports the CPU when a single Descriptor (i.e. one frame) has been completely treated by the DMA_MAC and the CPU is again the owner (VALID bit set to 0).

The TX_NEXT (RX_NEXT) interrupt bit is set when next descriptor fetch is enabled (NXT_EN=1 in the current descriptor) the next Descriptor is not valid (VALID bit is off).

The TX_DONE (RX_DONE) interrupt bit is set when a whole DMA transfer is complete. This can happen either when the current is the last Descriptor in the chain (NXT_EN is off) or when the next Descriptor is not valid yet (VALID bit is off) and the polling is disabled (NPOL_EN bit is off).

6.5.4 Frames transmission (TX)

When the CPU wants to transmit a set of frames on the cable, it needs to provide the DMA_MAC with a Descriptor list. The CPU is expected to allocate a Descriptor for each frame it wants to send, to fill it with the DMA control information and the pointer to the frame, and to link the Descriptor in the chain. The frames will be sent on the cable in the same order they are found in the chain.

6.5.6 Open list approach

The simplest way to construct a Descriptor chain is the open list approach. Every Descriptor but the last one will have the DMA_Next field pointing to the next Descriptor in the chain, the NXT_EN bit and the VALID bit on, the NPOL_EN bit on/off. The last Descriptor will be set in the same way except for the NXT_EN bit (off) and the DMA_Next field (NULL).

- The CPU starts the DMA activity loading the physical location of the first Descriptor into the DMA Next register of the DMA_MAC and set the DMA Start register enable bit to on.
- The DMA_MAC will then keep fetching the Descriptors one by one until it finds the NXT_EN bit of the last Descriptor set to off. Every time it completes a Descriptor (frame) it saves the transfer status into TxRx_Status, it turns the Descriptor VALID bit to off and raises the TX_CURR_DONE interrupt bit.
- When the NXT_EN bit is found to be off, that means the DMA_MAC has fetched the last Descriptor in the chain. When it completes also this Descriptor (the end of the DMA transfer) it raises both the TX_CURR_DONE and the TX_DONE interrupt bits.

6.5.7 Closed list approach

The approach above is easy since it doesn't require the DMA_MAC and the CPU to synchronize their access to the Descriptor chain. The problem is that it requires the CPU to build the list every time it needs a transfer.

A faster way to operate is building a closed Descriptor list only the first time and using the VALID bit to mark the end of the transfer. The polling facility could also be used to save the CPU from the activity of programming the DMA Start register every time it needs to start the DMA transfer. Instead, the DMA Start register will be activated only once and the DMA_MAC will keep polling the invalid descriptor, raising each time the TX_NEXT interrupt bit (if enabled), until the CPU finally sets its VALID bit to on. Since the DMA transfer practically never ends, note that in this case the TX_DONE interrupt bit is never raised.

With this approach every Descriptor will have the DMA_Next field pointing to the next Descriptor in the chain (the last one will point to the first one), the NXT_EN bit, the VALID bit and the NPOL_EN bit on.

The DMA_MAC will keep fetching the Descriptors one by one until it finds one with its VALID bit set to off. Every time the DMA_MAC completes a Descriptor (frame) it saves the transfer status into TxRx_Status, it turns its VALID bit to off and raises the TX_CURR_DONE interrupt bit.

6.5.8 Frames reception (RX)

The frame reception process is something that needs to be activated at the beginning and kept always running. For this reason the closed Descriptor list (see above) is much more useful than the open list approach.

Again, with this approach every Descriptor will have the DMA_Next field pointing to the next Descriptor in the chain (the last one will point to the first one), the NXT_EN bit, the VALID bit and the NPOL_EN bit on.

The CPU starts the transfer activity loading the DMA_Next register of the DMA_MAC with the physical location of the first Descriptor and set the DMA_Start register enable bit to on. The DMA_MAC will start fetching the Descriptors one by one, driven by the frames reception from the line. Every time the DMA_MAC completes a Descriptor (frame) it saves the transfer status into TxRx_Status, it turns its VALID bit to off and raises the TX_CURR_DONE interrupt bit.

Eventually, the DMA_MAC will be faster than the CPU, it will wrap around the Descriptor chain and find a Descriptor still invalid.

Then the DMA_CNT keeps polling the invalid descriptor, raising each time the TX_NEXT interrupt bit (if enabled), until some Descriptor gets available (note that in this case some frame could be lost). In the meantime the CPU should consume the frames received and set the VALID bit to on of all the Descriptor released.

As soon as the DMA_CNT finds the Descriptor valid again, it will be able to complete the transfer and to fetch the next Descriptor.

6.5.9 Ethernet block Register Map [0x0C680000]

The base address of the Ethernet registers is 0x0C680000

The memory map of the Dual MAC Ethernet block is shown below:

Address	Register Name	Notes
DMA_MAC1 Eth_base1=0x0C680000		
Eth_base1+ 0x0000	DMA_ST&CNTL	DMA Status and Control Register
Eth_base1+0004	DMA_INT_EN	DMA Interrupt Sources Enable Register
Eth_base1+0008	DMA_INT_STAT	DMA Interrupt Status Register
Eth_base1+000C		Reserved
Eth_base1+ 0x0010	RX_DMA_START	RX DMA start Register

Address	Register Name	Notes
Eth_base1+ 0x0014	RXD_DMA_CNTL	RX Data DMA Control Register
Eth_base1+ 0x0018	RXD_DMA_ADDR	RX Data DMA Base Address Register
Eth_base1+ 0x001C	RXD_DMA_NXT	RX Data DMA Next Descriptor Address Register
Eth_base1+ 0x0020	RX_DMA_CADDR	RX DMA Current Address Register
Eth_base1+ 0x0024	RX_DMA_CXFER	RX DMA Current Transfer Count Register
Eth_base1+ 0x0028	RX_DMA_TO	RX DMA FIFO Time Out Register
Eth_base1+ 0x002C	RX_DMA_FIFO	RX DMA FIFO Status Register
Eth_base1+ 0x0030	RXV_DMA_CNTL	RX Voice DMA Control Register
Eth_base1+ 0x0034	RXV_DMA_ADDR	RX Voice DMA Base Address Register
Eth_base1+ 0x0038	RXV_DMA_NXT	RX Voice DMA Next Descriptor Address Register
Eth_base1+0x003C- Eth_base1+0x 004C		Reserved
Eth_base1+ 0x0050	TX_DMA_START	TX DMA start Register
Eth_base1+ 0x0054	TXD_DMA_CNTL	TX Data DMA Control Register
Eth_base1+ 0x0058	TXD_DMA_ADDR	TX Data DMA Base Address Register
Eth_base1+ 0x005C	TXD_DMA_NXT	TX Data DMA Next Descriptor Address Register
Eth_base1+ 0x0060	TX_DMA_CADDR	TX DMA Current Address Register
Eth_base1+ 0x0064	TX_DMA_CXFER	TX DMA Current Transfer Count Register
Eth_base1+ 0x0068	TX_DMA_TO	TX DMA FIFO Time Out Register
Eth_base1+ 0x006C	TX_DMA_FIFO	TX DMA FIFO Status Register
Eth_base1+ 0x0070	TXV_DMA_CNTL	TX Voice DMA Control Register
Eth_base1+ 0x0074	TXV_DMA_ADDR	TX Voice DMA Base Address Register

Address	Register Name	Notes
Eth_base1+ 0x0078	TXV_DMA_NXT	TX Voice DMA Next Descriptor Address Register
Eth_base1+0x007C- Eth_base1+ 0x00FC		Reserved
Eth_base1+ 0x0100	RX_FIFO_0	RX FIFO 32 bit word #0
...
Eth_base1+ 0x013C	RX_FIFO_15	RX FIFO 32 bit word #15
Eth_base1+0x0180- Eth_base1+ 0x01FC		Reserved
Eth_base1+ 0x0200	TX_FIFO_0	TX FIFO 32 bit word #0
...
Eth_base1+ 0x023C	TX_FIFO_15	TX FIFO 32 bit word #15
Eth_base1+0x0280- Eth_base1+ 0x03FF		Reserved
Eth_base+ 0x0400- Eth_base+ 0x07FF	MAC110	
DMA_MAC2 Eth_base2 = 0x0C680800		
Eth_base2+ 0x000	DMA_ST&CNTL	DMA Status and Control Register
Eth_base2+0x0004	DMA_INT_EN	DMA Interrupt Sources Enable Register
Eth_base2+0x8008	DMA_INT_STAT	DMA Interrupt Status Register
Eth_base2+0x000C		Reserved
Eth_base2+ 0x0010	RX_DMA_START	RX DMA start Register
Eth_base2+ 0x0014	RXD_DMA_CNTL	RX Data DMA Control Register
Eth_base2+ 0x0018	RXD_DMA_ADDR	RX Data DMA Base Address Register
Eth_base2+ 0x001C	RXD_DMA_NXT	RX Data DMA Next Descriptor Address Register
Eth_base2+ 0x0020	RX_DMA_CADDR	RX DMA Current Address Register

Address	Register Name	Notes
Eth_base2+ 0x0024	RX_DMA_CXFER	RX DMA Current Transfer Count Register
Eth_base2+ 0x0028	RX_DMA_TO	RX DMA FIFO Time Out Register
Eth_base2+ 0x002C	RX_DMA_FIFO	RX DMA FIFO Status Register
Eth_base2+ 0x0030	RXV_DMA_CNTL	RX Voice DMA Control Register
Eth_base2+ 0x0034	RXV_DMA_ADDR	RX Voice DMA Base Address Register
Eth_base2+ 0x0038	RXV_DMA_NXT	RX Voice DMA Next Descriptor Address Register
Eth_base2+0x003C- Eth_base2+004C		Reserved
Eth_base2+ 0x0050	TX_DMA_START	TX DMA start Register
Eth_base2+ 0x0054	TXD_DMA_CNTL	TX Data DMA Control Register
Eth_base2+ 0x0058	TXD_DMA_ADDR	TX Data DMA Base Address Register
Eth_base2+ 0x005C	TXD_DMA_NXT	TX Data DMA Next Descriptor Address Register
Eth_base2+ 0x0060	TX_DMA_CADDR	TX DMA Current Address Register
Eth_base2+ 0x0064	TX_DMA_CXFER	TX DMA Current Transfer Count Register
Eth_base2+ 0x0068	TX_DMA_TO	TX DMA FIFO Time Out Register
Eth_base2+ 0x006C	TX_DMA_FIFO	TX DMA FIFO Status Register
Eth_base2+ 0x0070	TXV_DMA_CNTL	TX Voice DMA Control Register
Eth_base2+ 0x0074	TXV_DMA_ADDR	TX Voice DMA Base Address Register
Eth_base2+ 0x0078	TXV_DMA_NXT	TX Voice DMA Next Descriptor Address Register
Eth_base2+0x007C- Eth_base2+ 0x00FC		Reserved
Eth_base2+ 0x0100	RX_FIFO_0	RX FIFO 32 bit word #0
....

Address	Register Name	Notes
Eth_base2+ 0x013C	RX_FIFO_15	RX FIFO 32 bit word #15
Eth_base2+ 0x0180- Eth_base2+ 0x01FC		Reserved
Eth_base2+ 0x0200	TX_FIFO_0	TX FIFO 32 bit word #0
....
Eth_base2+ 0x023C	TX_FIFO_15	TX FIFO 32 bit word #15
Eth_base2+ 0x0280- Eth_base2+ 0x03FF		Reserved
Eth_base2+ 0x0400- Eth_base2+ 0x07FF	MAC110	Refer to the InSilicon MAC110 specification (see Ref. [2])

6.6 Arbiter

The arbiter is used to ensure that, at any point in time, only one master has access to the bus. It performs this function by observing all of the bus master requests to use the bus, and deciding which is currently the highest priority. It has a standard interface to all bus masters and split-capable slaves in the system. However it does not support SPLIT bus transfers.

A bus master may request the bus during any cycle by setting its HBUSREQ output HIGH. This is then sampled by the arbiter on the rising edge of the clock, and passed through the priority algorithm to decide which master will have access to the bus during the next cycle. The HGRANT then outputs change to indicate which master currently is granted control of the bus.

The HLOCK signals may be used to ensure that during an indivisible transfer, the current grant outputs do not change. HLOCK must be asserted at least one cycle before the locked transfer to prevent the arbiter from changing the grant signals. When more than one master requests ownership of the system bus, the priority used for arbitration is:

- Highest: TIC
- Printer Drive Control
- DMA Controller
- Lowest: ARM7TDMI (default master)

The ARM7TDMI will periodically assume top priority on the system bus: this period can be programmed. Also, it will assume top priority when an interrupt occurs, if the interrupt mode is enabled. During reset, and when no other masters are requesting control of the bus, the ARM7TDMI is selected as the currently granted master. This minimizes the delay required for the core to perform a transfer on the bus, as it does not have to wait to be granted control of the bus before it can start a new transfer.

The system also requires a default master, which is selected when no masters are granted control of the bus, for example, when all system bus masters are waiting for split transfers to complete. The default master performs IDLE transfers while it is granted control of the bus. The bus grant outputs may change while HREADY is LOW, but the newly granted master may only drive the bus when the current transfer has completed. This requires that bus masters only drive the bus after they detect that both their HGRANT and HREADY inputs are set HIGH.

All registers used in the system are clocked from the rising edge of the system clock HCLK, and use the asynchronous reset HRESETn. The arbiter control and status registers are accessed via the APB bus.

6.7 TIC-Test Interface Controller

The Test Interface Controller (TIC) is a state machine that provides an AMBA AHB bus master for system test. It reads test write and address data from the external data bus TESTBUS (XD), and uses the External Bus Interface (part of the DRAM Controller) to drive the external bus with test read data, allowing the use of only one set of output tristate buffers onto TESTBUS.

The TIC is used to convert externally applied test vectors into internal transfers on the AHB bus. A three-wire external handshake protocol is used, with two inputs controlling the type of vector that is applied and a single output that indicates when the next vector can be applied. Typically the TIC is the highest priority AMBA bus master, which ensures test access under all conditions. The TIC model supports address incrementing and control vectors. This means that the address for burst transfers can automatically be generated by the TIC.

6.8 AHB-ASB bridge

The APB bridge is the only bus master on the Advanced Peripheral Bus. In fact, the APB bridge is also a slave on the AHB. The bridge unit converts ASB transfers into APB transfers. On the APB bus only 16 bits wide data accesses are permitted. 32 bit wide and 8 bit wide transfers are not supported. All the APB peripherals decodes all the 16 bits of the PA bus.



APB decoding scheme

Every area is 128k x 16 bits but the area actually available is 32k x 16 due to the fact that the address lines on the APB bus are 16 (PA(15:0)). That means that in every area dedicated to the several block on the APB bus only the first FFFF is usable.

7.0 APB bus

The APB bus is a 16 bits data and 16 bits address bus. The blocks attached on this bus are described in the following sections while the memory area is reported in the following figure.

All the addresses in the APB space are word aligned (addresses are multiples of four)

Figure 8: APB Memory Map

Timer	0C000000 0C07FFFF
Miscellaneous I/O	0C080000 0C0FFFFFF
Interrupt Controller	0C100000 0C17FFFF
Dual Port SRAM	0C180000 0C1FFFFFF
Reserved	0C200000 0C27FFFF
SPI port	0C280000 0C2FFFFFF
I2C port	0C300000 0C37FFFF
UART	0C380000 0C3FFFFFF
GPIO	0C400000 0C47FFFF
HPI	0C480000 0C4FFFFFF
Watchdog Timer	0C500000 0C57FFFF
EDM regs	0C580000 0C5FFFFFF
ESM regs	0C600000 0C67FFFF
Ethernet Mac DMACs	0C680000 0C6FFFFFF
DMAC	0C700000 0C7FFFFFF
ARM/D950 bridge	0C800000 0C8FFFFFF

7.1 Timer

The Timer module connects to the Advanced Peripheral Bus.

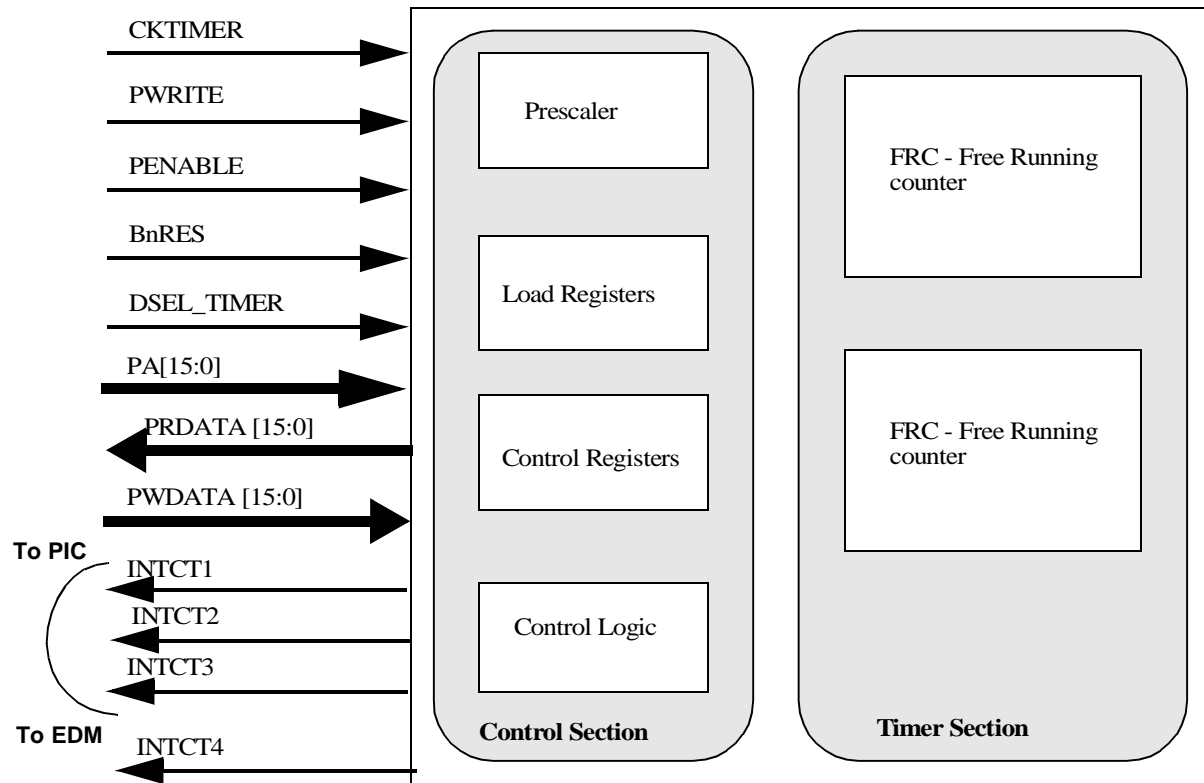


Figure 9: Timer block diagram

This implementation consists of two major sections comprising:

- All the control logic
- Two instantiations of the free-running counters (FRCs)

The timer module has a series of memory-mapped locations that allow the state of the timer module to be read from and written to via the APB.

7.1.1 Timer introduction

Two timers are defined and can be selected by the Control register:

- Free-running mode: The timer wraps after reaching its zero value, and continues to count down from the maximum value.
- Periodic timer mode: The counter generates an interrupt at a constant interval.

7.1.2 Timer operation

The timer is loaded by writing to the load register and, if enabled, counts down to zero. When zero is reached, an interrupt is generated. The interrupt may be cleared by writing to the Clear register.

After reaching a zero count, if the timer is operating in free-running mode it continues to decrement from its maximum value. If periodic timer mode is selected, the timer reloads from the load register and continues to decrement. In this mode the timer effectively generates a periodic interrupt. The mode is selected by a bit in the Control register.

At any point, the current timer value may be read from the Value register.

The timer is enabled by a bit in the control register. At reset, the timer is disabled, the interrupt is cleared and the Load register is undefined. The mode and prescale values are also undefined.

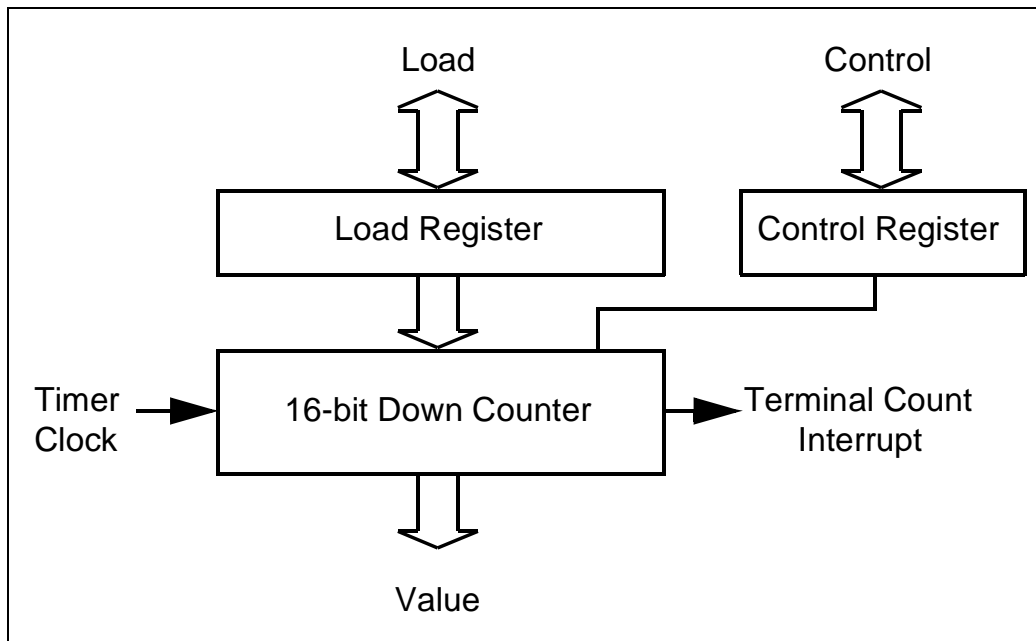


Figure 10: Timer block diagram

The timer clock is generated by a prescale unit. The timer clock may be one of:

- The CKTIMER
- The CKTIMER divided by 16, generated by 4 bits of prescale
- the CKTIMER divided by 256, generated by a total of 8 bits of prescale

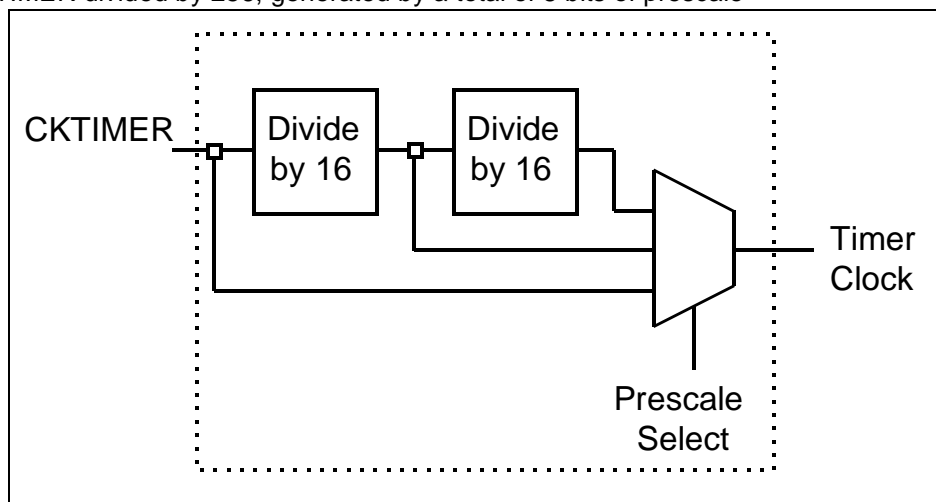


Figure 11: Pre-scaler block diagram

Using the recommended 2.208Mhz clock, the minimum interval between two timer interrupt is 452nsec (corresponding to the 2.208Mhz period) while the maximum interval between two timer interrupt is around 6sec.

7.1.3 Timer register map [0x0C000000]

The base address of the timer register is 0x0C000000

The offset of any particular register from the base address is the following.

Address	Register Name	R/W	Notes
TimerBase + 0x00	Timer1Load	R/W	Timer1Load. The Load register contains the initial value of the timer and is also used as the reload value in periodic timer mode.
TimerBase + 0x04	Timer1Value	R	Timer1Value. The Value location gives the current value of the timer.
TimerBase + 0x08	Timer1Control	R/W	Timer1Control. The Control register provides enable/disable, mode and prescale configurations for the timer (see Figure 10).
TimerBase + 0x0C	Timer1Clear	W	Timer1Clear. Writing to the Clear location clears an interrupt generated by the counter timer.
TimerBase + 0x10	Timer2Load	R/W	Timer2Load. The Load register contains the initial value of the timer and is also used as the reload value in periodic timer mode.
TimerBase + 0x14	Timer2Value	R	Timer2Value. The Value location gives the current value of the timer.
TimerBase + 0x18	Timer2Control	R/W	Timer2Control. The Control register provides enable/disable, mode and prescale configurations for the timer (see Figure 10).
TimerBase + 0x1C	Timer2Clear	W	Timer2Clear. Writing to the Clear location clears an interrupt generated by the counter timer.
TimerBase + 0x20	Timer3Load	R/W	Timer3Load. The Load register contains the initial value of the timer and is also used as the reload value in periodic timer mode.
TimerBase + 0x24	Timer3Value	R	Timer3Value. The Value location gives the current value of the timer.

Address	Register Name	R/W	Notes
TimerBase + 0x28	Timer3Control	R/W	Timer3Control. The Control register provides enable/disable, mode and prescale configurations for the timer (see Figure 10).
TimerBase + 0x0C	Timer3Clear	W	Timer3Clear. Writing to the Clear location clears an interrupt generated by the counter timer.
TimerBase + 0x30	Timer4Load	R/W	Timer4Load. The Load register contains the initial value of the timer and is also used as the reload value in periodic timer mode.
TimerBase + 0x34	Timer4Value	R	Timer4Value. The Value location gives the current value of the timer.
TimerBase + 0x38	Timer4Control	R/W	Timer4Control. The Control register provides enable/disable, mode and prescale configurations for the timer (see Figure 10).
TimerBase + 0x3C	Timer4Clear	W	Timer4Clear. Writing to the Clear location clears an interrupt generated by the counter timer.

7.2 Watchdog Timer

STLC1502 contains a Watchdog timer. This timer is used to reset the ARM7 in case of a software deadlock. The watchdog timer generates a hot reset when it overflows which will restart the ARM, but the code will not be downloaded again. The timer should be cleared by the software before it overflows.

It is based on a 8 bit counter which is clocked by a slow signal coming from a 17 bit prescaler clocked by the system clock.

So the elapsing time of the watchdog timer depend on the system clock:

SYS_CLK:

13MHz => 2.58 seconds

26MHz => 1.29 seconds

39MHz => 0.86 seconds

52MHz => 0.64 seconds

This peripheral consists of a timer that continue to run and to reset the core if the software doesn't clear it before it elapses. The software can clear or disable the timer by writing the WDOG_CONTROL register

7.2.1 Watch Dog Register Map [0x0C500000]

The base address of the WDT register is 0x0C500000
 The memory map of the WDT peripheral is shown below:

Address	Register Name	R/W	Notes
ESMBase + 0x00	WDTCtrl	R/W	WDT control register
ESMBase + 0x04	WDT reset_stat	R/W	WDT reset the status register
ESMBase + 0x08	WDT max_count	R/W	WDT programmable max count
ESMBase + 0x0C	WDT counter	R	WDT internal counter value

7.3 Miscellaneous I/O

All the registers not related to any module attached to the APB/AHB bus such as EIL, Test are considered Miscellaneous I/O. Additionally, the ESM configuration register and the Dual Port register are also part of this block.

7.3.1 Miscellaneous Register Map [0x0C080000]

The Miscellaneous register address is 0x0C080000

Address	Register Name	R/W	Notes
MISC_regBase+ 0x00	Control	W	This register allows to control the reset/boot procedure and some other control features
MISC_regBase+ 0x10	Status	W	This register allows DSP section setting
MISC_regBase+ 0x20	IDENTIFICATION	R	This register provides informations about the device/system

7.4 Interrupt Controller

In an ARM system, two levels of interrupt are available:

- FIQ (Fast Interrupt Request) for fast, low latency interrupt handling
- IRQ (Interrupt Request) for more general interrupts

Ideally, in an ARM system, only a single FIQ source would be in use at any particular time. This provides a true low-latency interrupt, because a single source ensures that the interrupt service routine may be executed directly without the need to determine the source of the interrupt. It also reduces the interrupt latency because the extra banked registers, which are available for FIQ interrupts, may be used to maximum efficiency by preventing the need for a context save.

Separate interrupt controllers are used for FIQ and IRQ.

There are 15 interrupt causes available in the IRQ controller coming from:

- Software (internally generated)
- Timer1

- Timer2
- UART
- Dual Port RAM
- I2C
- Ethernet switch DMAC1
- Ethernet switch DMAC2
- SPI
- DMAC
- IRQ1/GPIO18
- IRQ2/GPIO19
- IKeyboard
- HPI
- Timer3

Even if only a single bit position is defined for FIQ, the interrupt controller can drive one of the interrupt source (IRQ interrupt sources), through a register, in order to generate the FIQ interrupt.

The IRQ interrupt controller uses a bit position for each different interrupt source.

All interrupt source inputs must be active HIGH and level sensitive and it remain active until the interrupt cause has been cancelled.

No hardware priority scheme nor any form of interrupt vectoring is provided, because these functions can be provided in software.

A programmed interrupt register is also provided to generate an interrupt under software control.

Every interrupt source can be masked.

7.4.1 Interrupt control

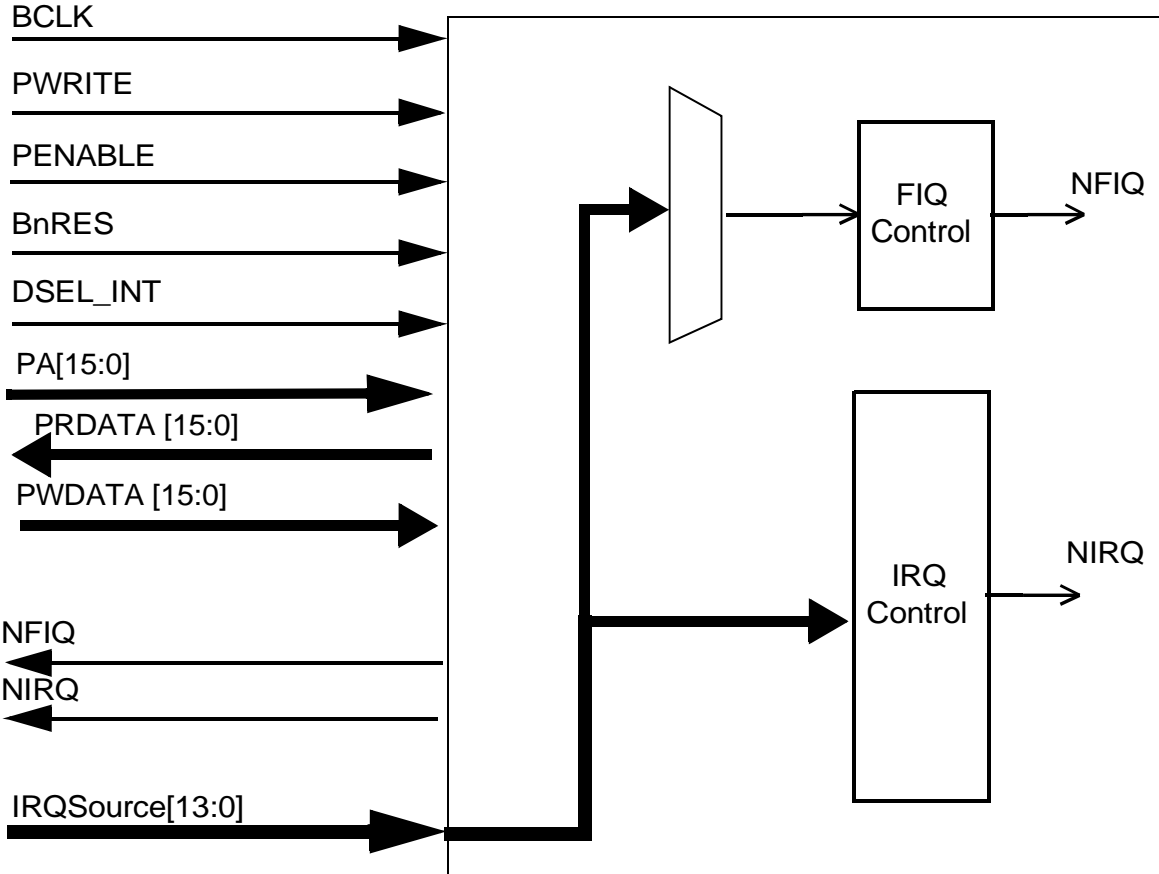
The IRQ interrupt management is done as described in the following:

- An interrupt is generated by a given device/source;
- This cause is readable by the IRQRawStatus register;
- If not masked (the mask is set by IRQEnableSet and reset by IRQEnableClear), this interrupt will generate a IRQ signal to the ARM and the interrupt source will be known by a read of the IRQStatus register.
- The ARM will serve the IRQ reading at first in the IRQStatus the active interrupt requests and will execute with a given priority the proper interrupt routine. Every routine must erase (quite soon) in some way its interrupt request source. This causes also for the proper bit in the IRQRawStatus register and in the IRQStatus register to disappear.

The same interlock is present for the FIQ interrupt.

7.4.2 Interrupt control scheme

Figure 11: Interrupt block scheme



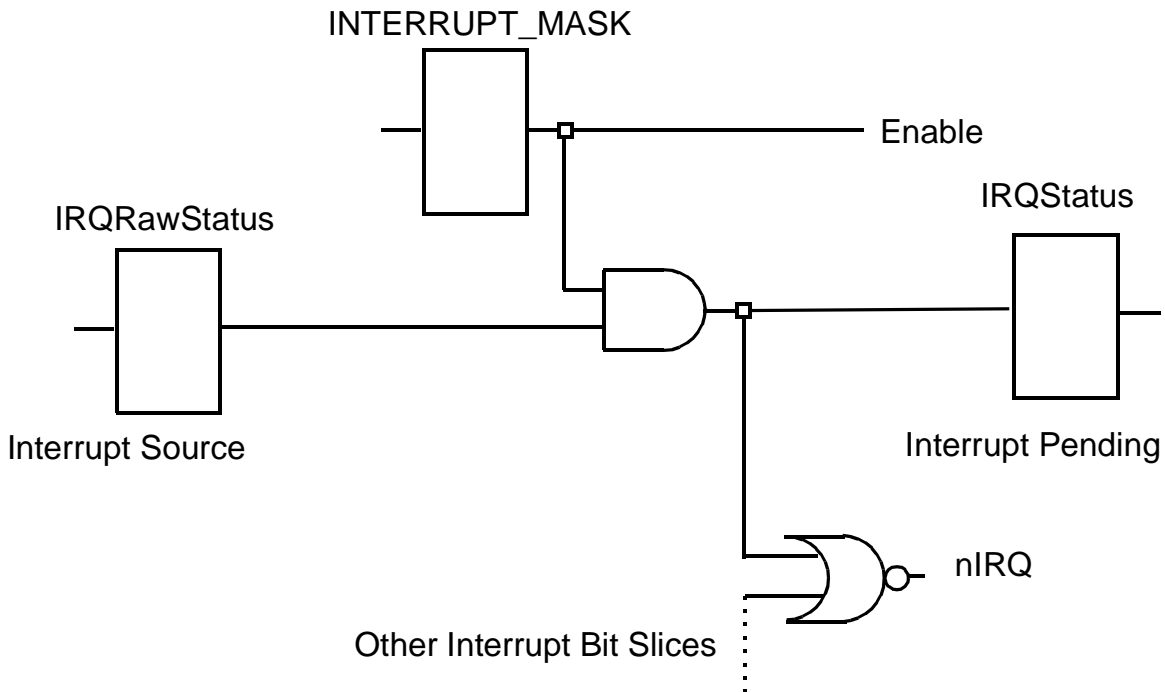


Figure 12: IRQ control block

7.4.3 Interrupt register map [0x0C100000]

The base address of the timer register is 0x0C100000

The offset of any particular register from the base address is the following.

Address	Register Name	R/W	Notes
Int.Base + 0x00	IRQStatus	R	For every IRQ interrupt cause, a '1' means an active pending interrupt that has to be served by the ARM
Int Base+ 0x04	IRQRawStatus	R	For every IRQ interrupt source, a '1' means an active pending interrupt "before" the mask (w/o considering the mask)
Int.Base + 0x08	IRQEnableSet	R/W	For every IRQ interrupt source, a '0' means that even if an interrupt source is active, it has to be stopped (masked). The write operation of 1 to a given bit, enable the corresponding interrupt

Address	Register Name	R/W	Notes
Int.Base + 0x0C	IRQSoft	R/W	Only the bit 1 has to be used. Writing '1' it generates an interrupt mapped in the bit 1 of the IRQStatus and of the IRQRawStatus registers. Writing '0' the software interrupt cause is erased.
Int.Base + 0x10	FIQStatus	R	For the FIQ interrupt cause, '1' means an active pending interrupt that has to be served by the ARM.
Int Base + 0x14	FIQRawStatus	R	For the IRQ interrupt source, a '1' means an active pending interrupt "before" the mask (w/o considering the mask)
Int.Base + 0x18	FIQEnableSet	R/W	For the FIQ interrupt source, a '0' means that even if an interrupt source is active, it has to be stopped (masked). The write operation of 1 to the bit0, enables the interrupt
Int.Base + 0x1C	IRQEnableClear	W	The write operation of 1 to a given bit, disables the corresponding interrupt. As consequence, the corresponding bit in the IRQEnableSet goes to 0 (interrupt disabled).
Int.Base + 0x20	FIQEnableClear	W	The write operation of 1 into the bit 0 disables FIQ interrupt cause. As a result, the bit 0 in the FIQEnableSet goes to 0 (interrupt disabled).
Int.Base + 0x24	IRQTestSource	R/W	Usable when the bit 0 of the IRQSourceSel is set to one. In this case this register is the interrupt source cause. If set, the cause is active (interrupt generated) while if reset, the cause is not active.

Address	Register Name	R/W	Notes
Int Base + 0x28	IRQSourceSel	R/W	Select the test mode of the IRQ cause on the interrupt controller (if the bit 0 is set). In this case the IRQTestSource becomes the interrupt source cause.
Int.Base + 0x2C	FIQTestSource	R/W	Usable when the bit 0 of the FIQSourceSel is set to one. In this case this register is the interrupt source cause. If set, the cause is active (interrupt generated) while if reset, the cause is not active.
Int Base + 0x30	FIQSourceSel	R/W	Select the test mode of the FIQ cause on the interrupt controller (if the bit 0 is set). In this case the FIQTestSource becomes the interrupt source cause. Moreover this register contains also the selection for the FIQ interrupt cause.

7.5 SPI-Serial Peripheral Interface

The Serial Peripheral Interface (SPI) allows full-duplex, synchronous, serial communication with external devices. An SPI system may consist of a master and one or more slaves or a system in which devices may be either masters or slaves.

The SPI is normally used for communication between the microcontroller and external peripherals.

7.5.1 Main Features

- Full duplex, three-wire synchronous transfers
- Master mode operation (clock generation)
- Four master mode frequencies
- Four programmable master bit rates
- Programmable clock polarity and phase
- End of transfer interrupt flag
- Write collision flag protection
- Master mode fault protection capability.

The SPI is connected to external devices through 3 pins:

SMI: Master In

SMO: Master Out

SCK: Serial Clock pin

When the master device transmits data to a slave device via SMO pin, the slave device responds by sending data to the master device to the SMI. This implies full duplex transmission with both data out and data in synchronized with the same clock signal (which is provided by the master device via the SCK pin).

Thus, the byte transmitted is replaced by the byte received and eliminates the need for separate transmit-empty and receiver-full bits. A status flag is used to indicate that the I/O operation is complete.

The MSB is transmitted first.

Four possible data/clock timing relationships may be chosen.

7.5.2 Programming procedure

The SPI interface contains 3 dedicated registers:

- A Control Register (CR)
- A Status Register (SR)
- A Data Register (DR)

Check the register description section for bits position and functions.

Select the SPR0 & SPR1 bits to define the serial clock baud rate.

Select the CPOL and CPHA bits to define one of the four relationships between the data transfer and the serial clock.

The transmit sequence begins when a byte is written in the DR register. The data byte is parallelly loaded into the 8-bit shift register (from the internal bus) during a write cycle and then shifted out serially to the SMO pin most significant bit first. When data transfer is complete:

The SPIF bit is set by hardware

.An interrupt is generated if the SPIE bit is set and the I bit in the CCR register is cleared.

During the last clock cycle the SPIF bit is set, a copy of the data byte received in the shift register is moved to a buffer. When the DR register is read, the SPI peripheral returns this buffered value.

Clearing the SPIF bit is performed by the following software sequence:

1. An access to the SR register while the SPIF bit is set
2. A read to the DR register.

Note: While the SPIF bit is set, all writes to the DR register are inhibited until the SR register is read.

7.5.3 Data Transfer Format

During an SPI transfer, data is simultaneously transmitted (shifted out serially) and received (shifted in serially). The serial clock is used to synchronize the data transfer during a sequence of eight clock pulses.

Four possible timing relationships may be chosen by software, using the CPOL and CPHA bits.

The CPOL (clock polarity) bit controls the steady state value of the clock when no data is being transferred.

The combination between the CPOL and CPHA (clock phase) bits selects the data capture clock edge.

The master device applies data to its SMO pin before the capture clock edge.

CPHA bit is set:

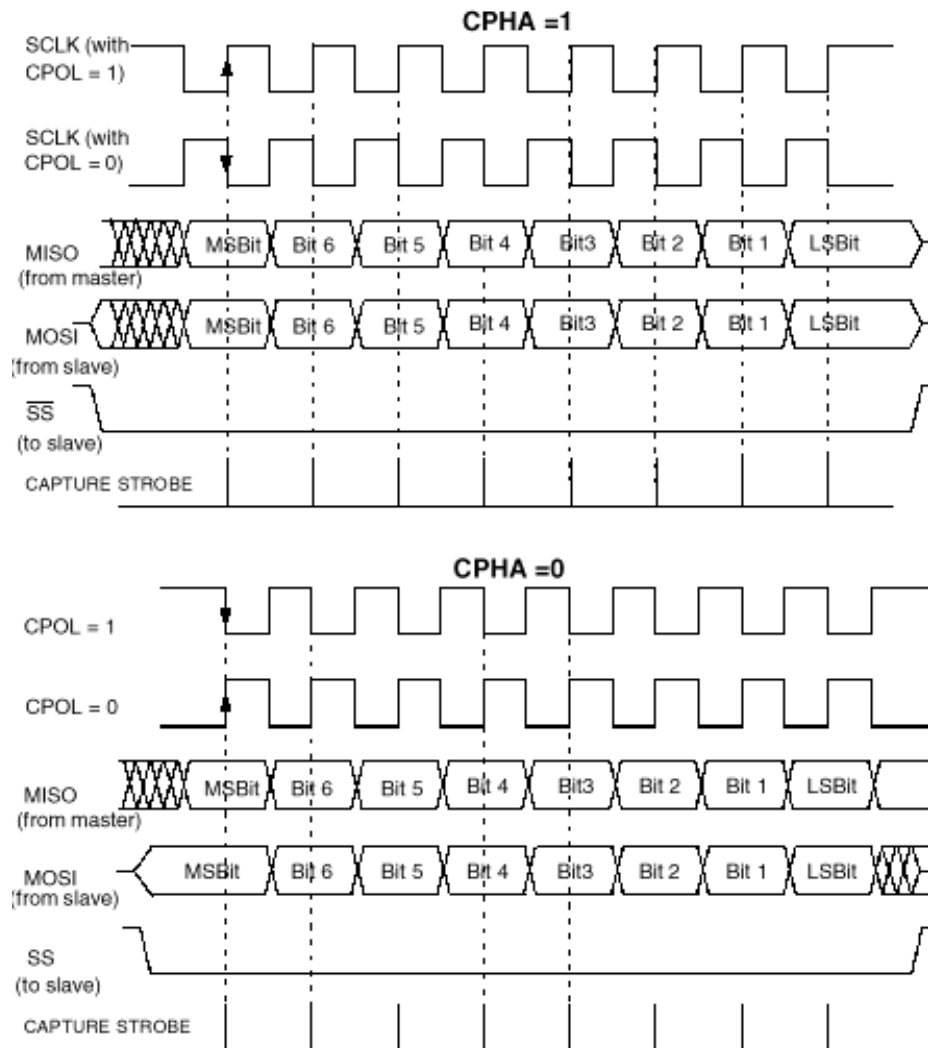
The second edge on the SCK pin (falling edge if the CPOL bit is reset, rising edge if the CPOL bit is set) is the MSBit capture strobe. Data is latched on the occurrence of the second clock transition.

CPHA bit is reset

The first edge on the SCK pin (falling edge if CPOL bit is set, rising edge if CPOL bit is reset) is the MSBit capture strobe. Data is latched on the occurrence of the first clock transition.

The slave select signal is necessary in case more than one slave devices are connected on the seral bus.

The slave select can be generated with a GPIO pin.



7.5.4 Collision management

Collision is defined as a write of the DR register while the internal serial clock (SCK) is in the process of transfer. The WCOL bit in the SR register is set if a write collision occurs. No SPI interrupt is generated when the WCOL bit is set (the WCOL bit is a status flag only). Clearing the WCOL bit is done through a software sequence:

- 1-Read SR
- 2-Read DR

7.5.5 SPI register map [0x0C280000]

The base address of the Remap & Pause register is 0x0C280000.

The offset of any particular register from the base address is the following.

Address	Register Name	R/W	Notes
SPI_regBase+ 0x04	SPIDR	R/W	SPI Data I/O register.
SPI_regBase+ 0x08	SPICR	R/W	SPI configuration register
SPI_regBase+ 0x0C	SPISR	R/W	SPI status register

7.6 I2C bus interface

The I2C Bus Interface serves as an interface between the microcontroller and the serial I2C bus. It provides both multimaster and slave functions, and controls all I2C bus-specific sequencing, protocol, arbitration and timing. It supports fast I2C mode (400kHz).

7.6.1 Main Features

- Parallel-bus/I2C protocol converter
- Multi-master capability
- 7-bit/10-bit Addressing
- Transmitter/Receiver flag
- End-of-byte transmission flag
- Transfer problem detection

I2C Master Features:

- Clock generation
- I2C bus busy flag
- Arbitration Lost Flag
- End of byte transmission flag
- Transmitter/Receiver Flag
- Start bit detection flag
- Start and Stop generation

I2C Slave Features:

- Stop bit detection
- I2C bus busy flag
- Detection of misplaced start or stop condition
- Programmable I2C Address detection
- Transfer problem detection
- End-of-byte transmission flag
- Transmitter/Receiver flag

7.6.2 General Description

In addition to receiving and transmitting data, this interface converts it from serial to parallel format and vice versa, using either an interrupt or polled by software. The interface is connected to the I2C bus by a data pin (SDA1) and by a clock pin (SCL1). It can be connected both with a standard I2C bus and a Fast I2C bus. This selection is made by software.

The interface can operate in the following modes:

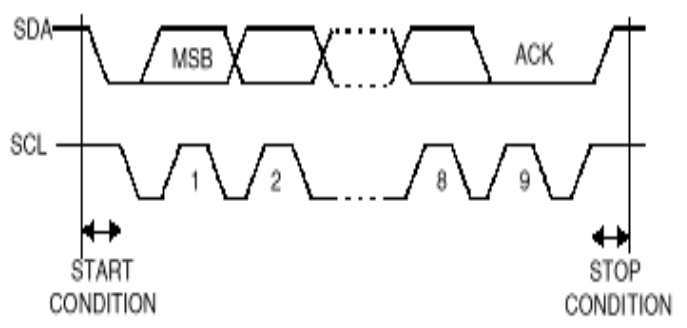
- Slave transmitter/receiver
- Master transmitter/receiver

By default, it operates in slave mode. The interface automatically switches from slave to master after it generates a START condition and from master to slave in case of arbitration loss or a STOP generation, allowing then Multi-Master capability.

In Master mode, it initiates a data transfer and generates the clock signal. A serial data transfer always begins with a start condition and ends with a stop condition. Both start and stop conditions are generated in master mode by software.

In Slave mode, the interface is capable of recognizing its own address (7 or 10 bits), and the General Call address. The General Call address detection may be enabled or disabled by software.

Data and addresses are transferred as 8-bit bytes, MSB first. The first byte(s) following the start condition contain the address (one in 7-bit mode, two in 10-bit mode). The address is always transmitted in Master mode. A 9th clock pulse follows the 8 clock cycles of a byte transfer, during which the receiver must send an acknowledge bit to the transmitter.



- Acknowledge may be enabled and disabled by software. The I²C interface address and/or general call address can be selected by software. The speed of the I²C interface may be selected between Standard (0-100KHz) and Fast I²C (100-400KHz).
- In transmitter mode the interface holds the clock in low before transmission to wait for the microcontroller to write the byte in the Data Register.
- In receiver mode: the interface holds the clock line low after reception to wait for the microcontroller to read the byte in the Data Register.
- The SCL frequency (F_{scl}) is controlled by a programmable clock divider which depends on the I²C bus mode.
- When the I²C cell is enabled, the SDA and SCL ports must be configured as floating inputs. In this case, the value of the external pull-up resistor used depends on the application.

7.6.3 Functional Description

Refer to the CR, SR1 and SR2 registers in register map section for the bit definitions.

By default the I²C interface operates in Slave mode (M/SL bit is cleared) except when it initiates a transmit or receive sequence. First the interface frequency must be configured using the FRi bits in the OAR2 register.

7.6.3.1 Slave mode

As soon as a start condition is detected, the address is received from the SDA line and sent to the shift register; then it is compared with the address of the interface or the General Call address (if selected by

software).

Note: In 10-bit addressing mode, the comparison includes the header sequence (11110xx0) and the two most significant bits of the address.

- **Header matched (10-bit mode only):** the interface generates an acknowledge pulse if the ACK bit is set.
- **Address not matched:** the interface ignores it and waits for another Start condition.
- **Address matched:** the interface generates in sequence:
 - Acknowledge pulse if the ACK bit is set.
 - EVF and ADSL bits are set with an interrupt if the ITE bit is set.

Then the interface waits for a read of the SR1 register, holding the SCL line low. Next, read the DR register to determine from the least significant bit (Data Direction Bit) if the slave must enter Receiver or Transmitter mode.

In 10-bit mode, after receiving the address sequence the slave is always in receive mode. It will enter transmit mode on receiving a repeated Start condition followed by the header sequence with matching address bits and the least significant bit set (11110xx1).

Slave Receiver

After the address reception and SR1 register has been read, the slave receives bytes from the SDA line into the DR register via the internal shift register. After each byte the interface generates in sequence:

- Acknowledge pulse if the ACK bit is set
- EVF and BTF bits are set with an interrupt if the ITE bit is set.

Then the interface waits for a read of the SR1 register followed by a read of the DR register, holding the SCL line low.

Slave Transmitter

After the address reception and the SR1 register has been read, the slave sends bytes from the DR register to the SDA line via the internal shift register. The slave waits for a read of the SR1 register followed by a write in the DR register, holding the SCL line low.

When the acknowledge pulse is received:

- The EVF and BTF bits are set by hardware with an interrupt if the ITE bit is set.

Closing slave communication

After the last data byte is transferred a Stop Condition is generated by the master. The interface detects this condition and sets:

- EVF and STOPF bits with an interrupt if the ITE bit is set. Then the interface waits for a read of the SR2 register

Error Cases

– BERR: Detection of a Stop or a Start condition during a byte transfer. In this case, the EVF and the BERR bits are set with an interrupt if the ITE bit is set. If it is a Stop then the interface discards the data, released the lines and waits for another Start condition. If it is a Start then the interface discards the data and waits for the next slave address on the bus.

– AF: Detection of a non-acknowledge bit. In this case, the EVF and AF bits are set with an interrupt if the ITE bit is set.

Note: In both cases, SCL line is not held low; however, SDA line can remain low due to possible «0» bits transmitted last. It is then necessary to release both lines by software.

How to release the SDA / SCL lines:

- Set and subsequently clear the STOP bit while BTF is set.

- The SDA/SCL lines are released after the transfer of the current byte.

7.6.3.2 Master Mode

To switch from default Slave mode to Master mode a Start condition generation is needed.

Start condition

Setting the START bit while the BUSY bit is cleared causes the interface to switch to Master mode (M/SL bit set) and generates a Start condition. Once the Start condition is sent:

- The EVF and SB bits are set by hardware with an interrupt if the ITE bit is set.

Then the master waits for a read of the SR1 register followed by a write in the DR register with the Slave address, holding the SCL line low.

Slave address transmission

The slave address is then sent to the SDA line via the internal shift register.

In 7-bit addressing mode, one address byte is sent.

In 10-bit addressing mode, sending the first byte including the header sequence causes the following event:

- The EVF bit is set by hardware with interrupt generation if the ITE bit is set.

Then the master waits for a read of the SR1 register followed by a write in the DR register, holding the SCL line low. The second address byte is then sent by the interface. After completion of this transfer (and acknowledge from the slave if the ACK bit is set):

- The EVF bit is set by hardware with interrupt generation if the ITE bit is set.

Then the master waits for a read of the SR1 register followed by a write in the CR register (for example set PE bit), holding the SCL line low. Next the master must enter Receiver or Transmitter mode.

Note: In 10-bit addressing mode, to switch the master to Receiver mode, software must generate a repeated Start condition and resend the header sequence with the least significant bit set (11110xx1).

Master Receiver

After the address transmission and SR1 and CR registers have been accessed, the master receives bytes from the SDA line into the DR register via the internal shift register. After each byte the interface generates in sequence:

- Acknowledge pulse if the ACK bit is set
- EVF and BTF bits are set by hardware with an interrupt if the ITE bit is set.

Then the interface waits for a read of the SR1 register followed by a read of the DR register, holding the SCL line low. To close the communication: before reading the last byte from the DR register, set the STOP bit to generate the Stop condition. The interface goes automatically back to slave mode (M/SL bit cleared).

Note: In order to generate the non-acknowledge pulse after the last received data byte, the ACK bit must be cleared just before reading the second last data byte.

Master Transmitter

After the address transmission and SR1 register has been read, the master sends bytes from the DR register to the SDA line via the internal shift register. The master waits for a read of the SR1 register followed by a write in the DR register, holding the SCL line low. When the acknowledge bit is received, the interface sets:

- EVF and BTF bits with an interrupt if the ITE bit is set.

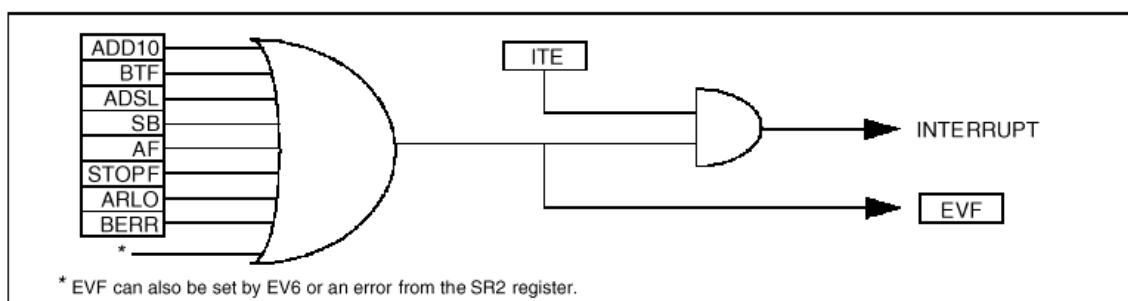
To close the communication: after writing the last byte to the DR register, set the STOP bit to generate the Stop condition. The interface goes automatically back to slave mode (M/SL bit cleared).

Error Cases

- BERR: Detection of a Stop or a Start condition during a byte transfer. In this case, the EVF and BERR bits are set by hardware with an interrupt if ITE is set.
- AF: Detection of a non-acknowledge bit. In this case, the EVF and AF bits are set by hardware with an interrupt if the ITE bit is set. To resume, set the START or STOP bit.
- ARLO: Detection of an arbitration lost condition. In this case the ARLO bit is set by hardware (with an interrupt if the ITE bit is set and the interface goes automatically back to slave mode (the M/SL bit is cleared).

Note: In all these cases, the SCL line is not held low; however, the SDA line can remain low due to possible «0» bits transmitted last. It is then necessary to release both lines by software.

Event Flags and interrupt generation diagram



Interrupt Event	Event Flag	Enable Control Bit	Exit from Wait	Exit from Halt
10-bit Address Sent Event (Master mode)	ADD10	ITE	Yes	No
End of Byte Transfer Event	BTF		Yes	No
Address Matched Event (Slave mode)	ADSEL		Yes	No
Start Bit Generation Event (Master mode)	SB		Yes	No
Acknowledge Failure Event	AF		Yes	No
Stop Detection Event (Slave mode)	STOPF		Yes	No
Arbitration Lost Event (Multimaster configuration)	ARLO		Yes	No
Bus Error Event	BERR		Yes	No

7.6.4 I2C registers map [0X0C300000]

The base address of the Remap & Pause register is 0x0C300000.

The offset of any particular register from the base address is the following.

Address	Register Name	R/W	Notes
I2C_regBase+ 0x20	I2CCR	R/W	I2C configuration register
I2C_regBase+ 0x24	I2CSR1	R/W	I2C status register 1
I2C_regBase+ 0x28	I2CSR2	R/W	I2C status register 2.

Address	Register Name	R/W	Notes
I2C_regBase+ 0x2C	I2CCCR	R/W	I2C Clock Control register.
I2C_regBase+ 0x30	I2COAR1	R/W	I2C Own Address register
I2C_regBase+ 0x34	I2COAR2	R/W	I2C Own Address register
I2C_regBase+ 0x38	I2CDR	R/W	I2C Data I/O register.

7.7 UART-Universal Asynchronous Receiver Transmitter

The UART provides a serial data communication with transmit and receive channels that can operate concurrently to handle a full-duplex operation. Two internal FIFOs for transmitted and received data, deep 16 and wide 8 bits, are present; these FIFOs can be enabled or disabled through a register. Interrupts are provided to control reception and transmission of serial data.

The clock for both transmit and receive channels is provided by an internal baud rate generator that divides its input clock by any divisor value from 1 to $2^{16} - 1$.

7.7.1 Operation

The UART supports full-duplex asynchronous communication, where both the transmitter and the receiver use the same data frame format and the same baud rate. Data is transmitted on the TXD pin and received on the RXD pin.

Data frames

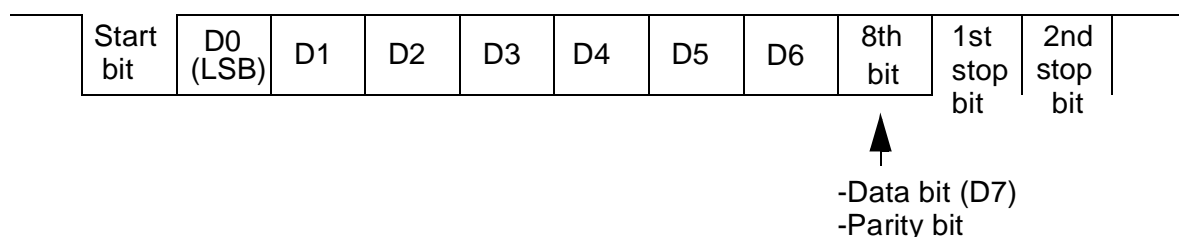
8-bit data frames either consist of:

- eight data bits D0-7 (by setting the Mode bit field to 001);
- seven data bits D0-6 plus an automatically generated parity bit (by setting the Mode bit field to 011).

Parity may be odd or even, depending on the ParityOdd bit in the ASCControl register. An even parity bit will be set, if the modulo-2-sum of the seven data bits is 1. An odd parity bit will be cleared in this case.

The parity error flag (ParityError) will be set if a wrong parity bit is received. The parity bit itself will be stored in bit 7 of the ASCRx-Buffer register.

8-bit data frame



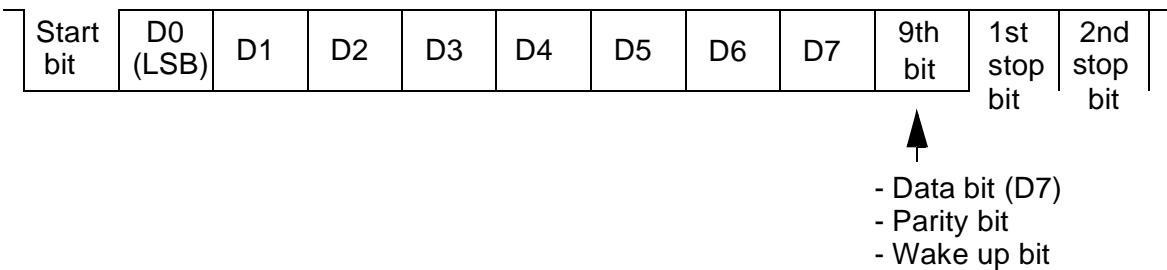
9-bit data frames either consist of:

- nine data bits D0-8 (by setting the Mode bit field to 100)
- eight data bits D0-7 plus an automatically generated parity bit (by setting the Mode bit field to 111)
- eight data bits D0-7 plus a wake-up bit (by setting the Mode bit field to 101)

Parity may be odd or even, depending on the ParityOdd bit in the ASCControl register. An even parity bit will be set, if the modulo-2-sum of the eight data bits is 1. An odd parity bit will be cleared in this case. The parity error flag (ParityError) will be set if a wrong parity bit is received. The parity bit itself will be stored in bit 8 of the ASCRx-Buffer register.

In wake-up mode, received frames are only transferred to the receive buffer register if the ninth bit (the wake-up bit) is 1. If this bit is 0, no receive interrupt request will be activated and no data will be transferred. This feature may be used to control communication in multi-processor systems. When the master processor wants to transmit a block of data to one of several slaves, it first sends out an address byte which identifies the target slave. An address byte differs from a data byte in that the additional ninth bit is a 1 for an address byte and a 0 for a data byte, so no slave will be interrupted by a data byte. An address byte will interrupt all slaves (operating in 8-bit data + wake-up bit mode), so each slave can examine the 8 least significant bits (LSBs) of the received character (the address). The addressed slave will switch to 9-bit data mode, which enables it to receive the data bytes that will be coming (with the wake-up bit cleared). The slaves that are not being addressed remain in 8-bit data + wake-up bit mode, ignoring the following data bytes.

9-bit data frame



7.7.2 Baud rate generation

The UART has its own dedicated 16-bit baud rate generator with 16-bit reload capability. The baud rate generator is clocked with the CPU clock. The timer counts downwards and can be started or stopped by the Run bit in the ASCControl register. Each under-flow of the timer provides one clock pulse. The timer is reloaded with the value stored in its 16-bit reload register each time it underflows. The ASCBaudRate register is the dual-function baud rate generator/reload register. A read from this register returns the content of the timer; writing to it updates the reload register. An auto-reload of the timer with the content of the reload register is performed each time the ASCBaudRate register is written to. However, if the Run bit is 0 at the time the write operation to the ASCBaudRate register is performed, the timer will not be reloaded until the first CPU clock cycle after the Run bit is 1.

The baud rate generator provides a clock at 16 times the baud rate. The baud rate and the required reload value for a given baud rate can be determined by the following formula:

$$\text{Baudrate} = f_{\text{CPU}} / (16 * \text{ASCBaudRate})$$

7.7.3 The timeout interrupt

A timeout counter register provides timeout interrupt on the receive path. Whenever the rxfifo has got something in it, the timeout counter will decrement until something happens

to the rxfifo. If nothing happens, and the timeout counter reaches zero, the ASCStatus(TimeoutNotEmpty) flag will be set. Provided ASCIntEnable(TimeoutNotEmpty) is set, this will cause an interrupt. When the software has emptied the rxfifo, the timeout counter will reset and start decrementing. If no more characters arrive, when the counter reaches zero the ASCStatus(TimeoutIdle) flag will be set. Provided the ASCIntEnable(TimeoutIdle) is set, per_interrupt will fire.

7.7.4 Interrupt control

The UART contains two registers that are used to control interrupts, the status register (ASCStatus) and the interrupt enable register (ASCIntEnable). The status bits in the ASCStatus register determine the cause of the interrupt. Interrupts will occur when a status bit is 1 (high) and the corresponding bit in the ASCIntEnable register is 1.

The error interrupt signal is generated by the UART from the OR of the parity error, framing error, and overrun error status bits after they have been ANDed with the corresponding enable bits in the ASCIntEnable register. An overall interrupt request signal (per_interrupt) is generated from the OR of the Error Interrupt signal and the TxEmpty, TxHalfEmpty, RxHalfFull, RxBufFull signals.

Note: TxFull does not generate interrupt.

The status register cannot be written directly by software. The reset mechanism for the status register is described below.

- TxEmpty, TxHalfEmpty are reset when a character is written to the transmitter buffer.
- TxFull is reset when a character is transmitted
- RxBufFull and OverrunError are reset when a character is read from the receive Fifo.
- The data error status bits (ParityError, FrameError) are reset when the character with error is read from the receive Fifo.

7.7.5 UART Memory map

The base address of the UART interface is fixed by the APB bridge.

Address	Register Name	R/W	Notes
UART_regBase+ 0x00	ASCBaudRate	R/W	Baud rate generator register
UART_regBase+ 0x04	ASCTxBuffer	WO	Transmit buffer (Fifo)
UART_regBase+ 0x08	ASCRxBuffer	RO	Receive buffer (Fifo).
UART_regBase+ 0x0C	ASCControl	R/W	UART control register.
UART_regBase+ 0x10	ASCIntEnable	R/W	UART interrupt enable register
UART_regBase+ 0x14	ASCStatus	RO	UART status register.
UART_regBase+ 0x18	ASCGuardtime	R/W	UART Guartime register.
UART_regBase+ 0x1C	ASCTimeout	R/W	UART Timeout register.

Address	Register Name	R/W	Notes
UART_regBase+ 0x20	ASCTxReset	WO	Flush Transmit buffer (Fifo)
UART_regBase+ 0x24	ASCRxReset	WO	Flush Receive buffer (Fifo)

7.8 GPIO/Keypad encoder

The GPIO block is available as a cell that controls 20 input/output pins. The block includes a key scanning encoder. The encoder function is an alternative to the use of 12 I/O pins. The 12 pins are organized as a 6X6 matrix providing an interface to a 36 key keyboard. 16 pins are also multiplexed with the HPI external interface. The HPI interface is selected by external pin HPISEL. Two pins GPIO18, GPIO19 are direct interrupt sources in the interrupt register when programmed as inputs.

The pin description of the GPIO pins can be found in the Pin Description Table in Section 4.1.

7.8.1 GPIO operation mode

The GPIO operation mode is the Parallel Port mode.

Each of the 20 signals may be programmed as an input or an output through a set up register. Once programmed, each pin maintains its identity as an input or output. Voltages are standard process port levels, 0 and 3.3 volts. The on chip ARM processor may read or write to the port at any time.

7.8.2 Keyboard operation mode

The keyboard may contain up to 36 keys. Twelve (12) port pins provide a 6x6 scanning matrix. Six of the pins are strobes and six of the pins are inputs. The application circuitry will provide small series resistors to prevent electrostatic damage to the port pins.

The circuitry will scan the keys at a rate of 10, 20, 40 or 80 msec, controlled by the software. Two successive cycles are needed to validate a key. Only one key will be allowed down in a scan cycle. Once validated as being down, the "no key down" condition must be validated for two complete cycles when the key is released. Every valid key condition will cause the value of the key to be written to a register and an interrupt shall be set. Two key rollover will not be supported unless the solution is easier to implement than the method described above.

7.8.4 GPIO registers map [0x0C400000]

The base address of GPIO registers is 0x0C400000.

The offset of any particular register from the base address is the following.

Address	Register Name	R/W	Notes
GPIO_regBase+ 0x00	Control	R/W	This register allows to set the block functionality
GPIO_regBase+ 0x04	Mask	W	This register allows GPIO direction setting (output enable)

Address	Register Name	R/W	Notes
GPIO_regBase+ 0x08	Data	R/W	This register allows GPIO data output setting
GPIO_regBase+ 0x0C	Status	R/W	Key data flag
GPIO_regBase+ 0x10	Key	R	Key value

7.9 HPI

The HPI is dual port SRAM based, with control that generates an interrupt when a message is sent. The DPRAM is implemented on chip and has a message buffer size of 256 bytes for each direction. Input buffer is used for messages from Host Processor to Stradivarius. Output buffer is used for messages from Stradivarius to Host Processor.

- The external bus interface of the HPI is compatible with Motorola MPC850 network processor. The data bus width is 8 bits.
- A status register, an index register (for the host processor), an interrupt mask register, and a message buffer are required for both input and output transactions.
- The Input Status Register (ISR) is set by the Host Processor by writing 0x01 and cleared by writing 0x00 to the location. It is cleared by ARM by writing anything to it.
- The Output Status Registers (OSR) is set by the ARM by writing 0x01 and cleared by writing 0x00. It is cleared by the Host Processor by writing anything to it.
- The Input and Output Index Registers (IIR & OIR respectively) are reset to their starting value by writing 0x00 to their respective addresses. They can also be cleared by the Host Processor by writing anything to them.
- The Input Interrupt Mask Register (IIM) resets to 0x00, causing the Mask to be set (active low). This means that before the ARM can receive message ready interrupts from the Host Processor, this register must be written with 0x0001 (by ARM) to unmask the interrupt.
- The Output Interrupt Mask Register (OIM) resets to 0x00, causing the Mask to be set (active low). This means that before the Host Processor can receive message ready interrupts from the ARM, this register must be written with 0x01 (by the Host Processor) to unmask the interrupt.
- The Input and Output Message buffers are each 256 bytes long and 1 byte wide (an overflow in the index register will not write to the other message buffer, but will start to overwrite the current message buffer).
- Addressing of the Input and Output Message Buffers by the Host Processor is implemented indirectly via the Input and Output Index Registers. An external interrupt signal is generated when the output status register is set by the ARM7. An ARM7 interrupt signal is generated when the input status register is set by the Host Processor.

7.9.1 Send Message from Host Processor to ARM

- Read Input Status Register. If h01, the ARM has not read out the last message. If 0x00, the ARM has read the last message and the Input Message Buffer is available for use.
- Clear Input Index Reg by writing any value to its address (b.100).
- Write message into Input Message Buffer by consecutively writing to its address (b.111). Each write will cause the Input Index Register to increment by 1 and access another byte location.
- Write 0x01 to Input Status Register (address b.011) to interrupt the ARM

7.9.2 Receive Message from ARM by Host Processor

After receiving interrupt from ARM:

- Clear Output Index Register (address b.001) by writing any value.
- Read message from Output Message Buffer by consecutively reading from its address (b.110). Each read will cause the Output Index Register to increment by 1 and access another byte location.
- Clear the Output Status Reg (address b.000) by writing any value (the ARM can clear the OSR by writing 0 to it).

7.9.3 Send Message from ARM to Host Processor

- Read Output Status Register. If h0001, the HP has not read out the last message. If 0x0000, the HP has read the last message and the Output Message Buffer is available for use.
- Write message into Output Message Buffer. This buffer is directly addressable by the ARM.
- Write 0x0001 to Output Status Register to interrupt the HP

7.9.4 Receive Message from Host Processor by ARM

After receiving interrupt from HP:

- Read message from Input Message Buffer. This buffer is directly addressable by the ARM.
- Clear the Input Status Reg by writing 0x0001 to its address (the HP can clear the ISR by writing 0 to it).

In the following table there is the list of the available external signals of the HPI interface.

NAME	Signal type	Description
HPI_CLK	IN	HPI bus clock form Host Processor
$\overline{\text{HPI_CS}}$	IN	Active low select from Host Processor.
$\overline{\text{HPI_AS}}$	IN	Address strobe from Host Processor.
$\text{HPI_R}\overline{\text{W}}$	IN	$\text{R}/\overline{\text{W}}$ from Host Processor
HPI_ADDR(2:0)	IN	Host Processor address
HPI_DATA(7:0)	INOUT	Host Processor data bus lines.
HP_INT	OUT	Interrupt to Host Processor

Table : External signals of HPI

7.9.5 HPI Memory map

Table : Register map of the DPORT peripheral

Register Name	ARM 7 Address	Host Processor addr.
Output Status reg	HPI_regBase +0x0C00	0x0
Output Index reg	HPI_regBase +0x0C02	0x1
Output Mask reg	HPI_regBase +0x0C04	0x2
Input Status reg	HPI_regBase +0x0C06	0x3
Input Index reg	HPI_regBase +0x0C08	0x4
Input Mask reg.	HPI_regBase +0x0C0A	0x5
Output Message buffer	HPI_regBase +0x0000 - HPI_regBase +0x01FE	0x6
Output Message buffer	HPI_regBase +0x0200 - HPI_regBase +0x03FE	0x7

7.10 Dual Port SRAM

A dual port SRAM 4096x16 connected between the APB bus and the X bus of the D950 domain, is used as a mailbox between the ARM7 and the D950. The DPRAM can be written/read everywhere by both the ARM and the D950. The DPRAM bank has two status sections consisting of 32, 16 bits memory locations, and a message section consisting 4064 16 bit memory locations.

There are 4 hardware registers: ARM and D950 mailbox mask registers and ARM and D950 mailbox registers.

- Mailbox registers: the writing of any value in a STATUS location will set the corresponding bit in the MAILBOX to 1. This will generate an interrupt if the corresponding mailbox MASK register bit is set to 1, and won't if the bit is set to 0. Reading a STATUS location will clear the corresponding bit in the MAILBOX to 0. (note: Only the ARM can clear the D950 mailbox on a read, and only the D950 can clear the ARM mailbox on a read. Likewise only the ARM can set the ARM Mailbox bits by writing to the ARM STATUS registers, and only the D950 can set the D950 Mailbox by writing to the D950 STATUS registers).
- Mailbox MASK registers: writing 0 in a bit location will allow the STATUS location to set the corresponding bit in the MAILBOX, but will mask out the generation of an interrupt. The Mailbox MASK registers are both reset to all 0's, so, by default, no interrupts will be generated.

7.10.1 DPRAM protocol

There can be up to 16 different communication channels that the D950 and the ARM can use to exchange messages between them. The allocation of the 4064 addressable message buffers locations in the DPRAM is completely under the programmer's control. There is no intervention by the hardware on the DPRAM other than use the first 32 locations to set and clear the MAILBOX registers and ultimately generate interrupts. A software protocol must be established in advance to safely pass messages.

Every time one of the two devices wants to write or receive a message, it should follow the example protocol

here below, where the D950 sends a message to the ARM. The same apply in the reverse direction with ARM and D950 side swapped.

- The D950 reads the D950 MAILBOX register bit corresponding to the channel it wants use for the message. If it is set to 1, the previous message has not been read by the ARM and the channel is not available. If the content of that bit is 0, then the D950 can write the message for the ARM into the appropriate section of the DPRAM
- The D950 writes any value in the appropriate D950_STATUS_X location ($0 \leq X \leq 15$), indicating that the message has just been put in the DPRAM. This will cause the corresponding bit in the D950 MAILBOX register to be set to 1.
- If the corresponding bit in the D950 Mailbox Mask register is set to 1, then an interrupt request for the ARM will be generated. The interrupt line is the logical OR of all the unmasked bits in the D950 MAILBOX register.
- The ARM interrupt service routine will read the D950 MAILBOX register and compare this with the D950 Mailbox MASK register to determine which channel caused the interrupt.
- The ARM reads the appropriate section of the DPRAM. When it has finished reading the message, it reads the corresponding D950 STATUS location.
- This latest read clears the corresponding bit in the D950 MAILBOX register. If no other unmasked bits are set in the D950 MAILBOX register, the ARM interrupt clears, otherwise remains set.
- Multiple channels can be used concurrently. It is up to the receiver to manage this eventuality. So the DPRAM can be used to buffer the messages as it is processed, while other channels are still available for communication.

7.10.2 Dual Port memory map [0x0C180000]

The base address of the Dual Port memory is 0x0C180000.

The base address of control registers is 0x0C188000

The DPRAM is mapped in the ARM memory space as shown below:

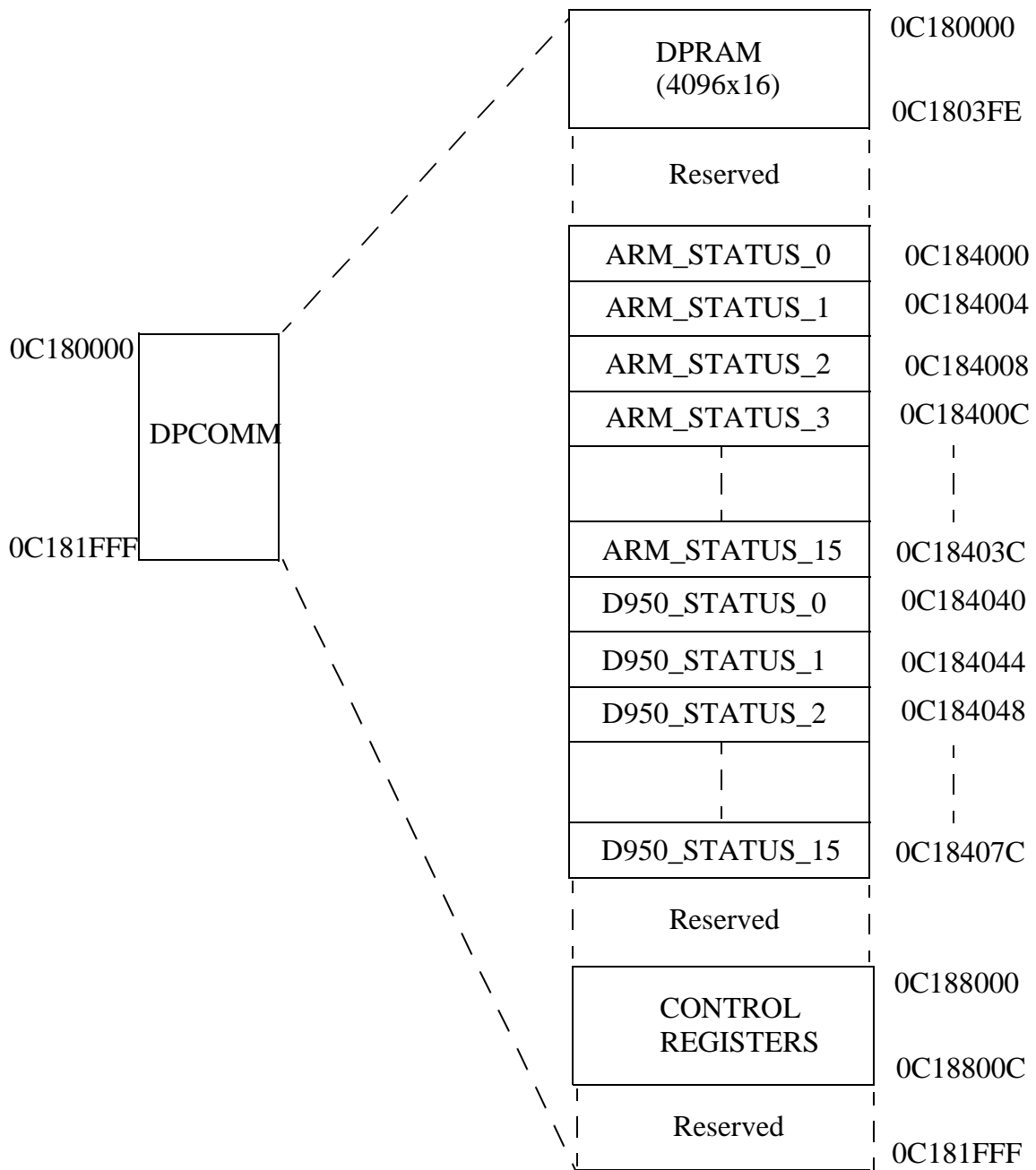


Figure 13: DPRAM memory map

4.10.2.1 DPRAM registers map

Address	Register Name	R/W	Notes
DPORT_regBase+ 0x0	D950_MAILBOX	R	It contains the pending interrupt requests that notify to the ARM has a message coming from the D950 to read. There is an interrupt line for each message class
DPORT_regBase+ 0x4	D950_MAILBOX_MASK	R/W	It contains the mask for the D950_MAILBOX
DPORT_regBase+ 0x8	ARM_MAILBOX	R	It contains the pending interrupt requests that notify to the D950 has a message coming from the ARM to read. There is an interrupt line for each message class
DPORT_regBase+ 0xC	ARM_MAILBOX_MASK	R	It contains the mask for the ARM_MAILBOX

8.0 Register Map

Following is the complete list and the description of every peripheral register of the Stradivarius

Address	Register Name	R/W	Note
0x0C000000	Timer1Load	R/W	Timer block register
0x0C000004	Timer1Value	R	Timer block register
0x0C000008	Timer1Control	R/W	Timer block register
0x0C00000C	Timer1Clear	W	Timer block register

Address	Register Name	R/W	Note
0x0C000010	Timer2Load	R/W	Tlmer block register
0x0C000014	Timer2Value	R	Tlmer block register
0x0C000018	Timer2Control	R/W	Tlmer block register
0x0C00001C	Timer2Clear	W	Tlmer block register
0x0C000020	Timer3Load	R/W	Tlmer block register
0x0C000024	Timer3Value	R	Tlmer block register
0x0C000028	Timer3Control	R/W	Tlmer block register
0x0C00002C	Timer3Clear	W	Tlmer block register
0x0C000030	Timer4Load	R/W	Tlmer block register
0x0C000034	Timer4Value	R	Tlmer block register
0x0C000038	Timer4Control	R/W	Tlmer block register
0x0C00003C	Timer4Clear	W	Tlmer block register
0x0C080000	Control	W	Miscellaneous
0x0C080010	Status	W	Miscellaneous
0x0C080020	IDENTIFICATION	R	Miscellaneous
0x0C100000	IRQStatus	R	Interrupt Control
0x0C100004	IRQRawStatus	R	Interrupt Control
0x0C100008	IRQEnableSet	R/W	Interrupt Control
0x0C10000C	IRQSoft	W	Interrupt Control
0x0C100010	FIQStatus	R	Interrupt Control
0x0C100014	FIQRawStatus	R	Interrupt Control
0x0C100018	FIQEnableSet	R/W	Interrupt Control

Address	Register Name	R/W	Note
0x0C10001C	IRQEnableClear	W	Interrupt Control
0x0C100020	FIQEnableClear	W	Interrupt Control
0x0C100024	IRQTestSource	R/W	Interrupt Control
0x0C100028	IRQSourceSel	R/W	Interrupt Control
0x0C10002C	FIQTestSource	R/W	Interrupt Control
0x0C100030	FIQSourceSel	R/W	Interrupt Control
0x0C188000	D950_MAILBOX	R	DPORT
0x0C188004	D950_MAILBOX_MAS K	R/W	DPORT
0x0C188008	ARM_MAILBOX	R	DPORT
0x0C18800C	ARM_MAILBOX_MAS K	R	DPORT
0x0C280004	SPIDR	R/W	SPI Data I/O register.
0x0C280008	SPICR	R/W	SPI configuration regis- ter
0x0C28000C	SPISR	R/W	SPI status register
0x0C300020	I2CCR	R/W	I2C configuration regis- ter
0x0C300024	I2CSR1	R/W	I2C status register 1
0x0C300028	I2CSR2	R/W	I2C status register 2.
0x0C30002C	I2CCCR	R/W	I2C Clock Control reg- ister.
0x0C300030	I2COAR1	R/W	I2C Own Address reg- ister

Address	Register Name	R/W	Note
0x0C300034	I2COAR2	R/W	I2C Own Address register
0x0C300038	I2CDR	R/W	I2C Data I/O register.
0x0C380000	ASCBaudRate	R/W	UART Baud rate register
0x0C380004	ASCTxBuffer	WO	UART Transmit buffer (Fifo)
0x0C380008	ASCRxBuffer	RO	UART Receive buffer (Fifo).
0x0C38000C	ASCControl	R/W	UART control register.
0x0C380010	ASCIntEnable	R/W	UART interrupt enable register
0x0C380014	ASCStatus	RO	UART status register.
0x0C380018	ASCGuardtime	R/W	UART Guartime register.
0x0C38001C	ASCTimeout	R/W	UART Timeout register.
0x0C380020	ASCTxReset	WO	Flush Transmit buffer (Fifo)
0x0C380024	ASCRxReset	WO	Flush Receive buffer (Fifo)
0x0C480000	Control	R/W	GPIO/KYBD
0x0C480004	Mask	W	GPIO/KYBD
0x0C480008	Data	R/W	GPIO/KYBD
0x0C48000C	Status	R/W	GPIO/KYBD
0x0C480010	Key	R	GPIO/KYBD

Address	Register Name	R/W	Note
0x0C480000	Output Status reg	RO	HPI output buffer status register
0x0C480004	Output Index reg	R/W	HPI output buffer index register
0x0C480008	Output Mask reg	R/W	HPI output interrupt mask
0x0C48000C	Input Status reg	RO	HPI input buffer status register
0x0C480010	Input Index reg	R/W	HPI input buffer index register
0x0C480014	Input Mask reg.	R/W	HPI input interrupt mask
0x0C480800	Output Message buffer	WO	HPI output buffer register
0x0C480C00	Input Message buffer	RO	HPI input buffer register
0x0C500000	WDTControl	R/W	WDT control register
0x0C500004	WDT Reset_stat	R/W	WDT reset the status register
0x0C500008	WDT Max_count	R/W	WDT programmable max count
0x0C50000C	WDT Counter	R	WDT internal counter value
0x0C600000	MB1Config	R/W	EDM Bank 1 Configuration
0x0C600004	MB2Config	R/W	EDM Bank 2 Configuration
0x0C600008	MB3Config	R/W	EDM Bank 3 Configuration

Address	Register Name	R/W	Note
0x0C60000C	MB4Config	R/W	EDM Bank 4 Configuration
0x0C600010	SDRAM1ConfigLo	WO	EDM Bank 1 Low SDRAM
0x0C600014	SDRAM1ConfigHi	WO	EDM Bank 1 High SDRAM
0x0C600018	SDRAM2ConfigLo	WO	EDM Bank 2 Low SDRAM
0x0C60001C	SDRAM2ConfigHi	WO	EDM Bank 2 High SDRAM
0x0C600020	SDRAM3ConfigLo	WO	EDM Bank 3 Low SDRAM
0x0C600024	SDRAM3ConfigHi	WO	EDM Bank 3 High SDRAM
0x0C600028	SDRAM4ConfigLo	WO	EDM Bank 4 Low SDRAM
0x0C60002C	SDRAM4ConfigHi	WO	EDM Bank 4 High SDRAM
0x0C600030	MemConfig	R/W	EDM Configuration Register
0x0C600000	CS0	R/W	Static ESM_CS0 bank control
0x0C600004	CS1	R/W	Static ESM_CS1 bank control
0x0C600008	CS2	R/W	Static ESM_CS2 bank control

9.0 D950 Domain

The D950 domain consists of a D950 core, I RAM, I ROM, X RAM, Y RAM, Timer, Emulator, Interrupt controller and TAP, PCM interface peripherals.

9.0 D950 memory map

The following table provides the memory map of D950 on X, Y, I buses.

Address	Area name	Area size
0x0000 ----- 0x000F	DSP registers	16 Words
0x0010 ----- 0x001F	EMU	16 Words
0x0020 ----- 0x002F	ITC	16 Words
0x0030 ----- 0x005F	Reserved DSP	
0x0060 ----- 0x006F	TIM	16 Words
0x0070 ----- 0xFFFF	RAM Y	64 KWords

Mapping of D950 Y memory space (1 Word = 16 bit)

Address	Area name	Area size
0x0000 ----- 0x7FFF	RAM X	32 KWords
0x8000 ----- 0xBFFF	DPCOM	16 KWords
0xC000 ----- 0xFFFF	PCMIF	16 KWords

Mapping of D950 X memory space (1 Word = 16 bit)

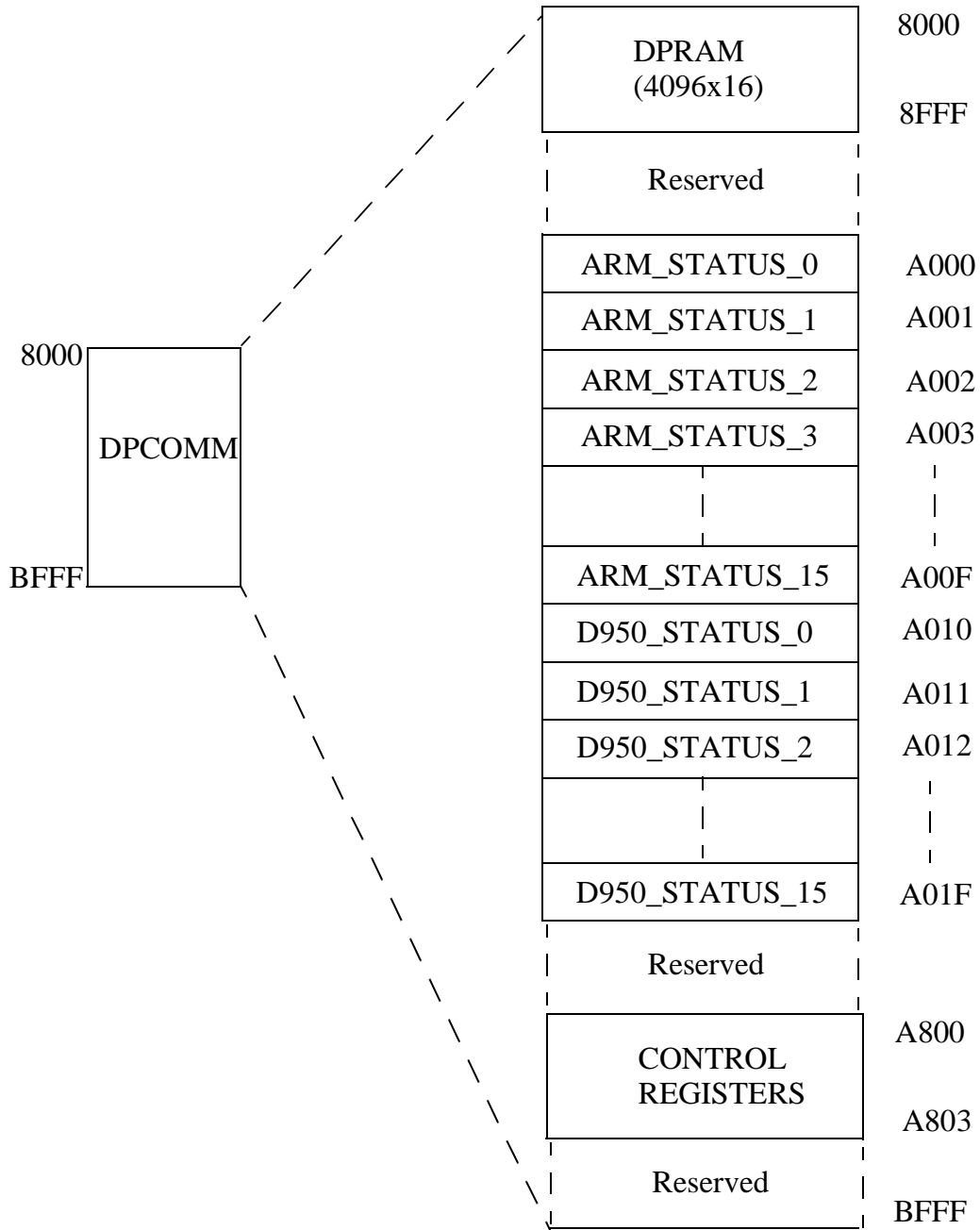
Address	Area name	Area size
0x0000 ----- 0x3FFF	ROM I (first bank)	16 KWords
0x4000 ----- 0x7FFF	ROM I (Second bank)	16 KWords
0x8000 ----- 0xBFFF	ROM I (Third bank)	16 KWords
0xC000 ----- 0xFFFF	RAM I	16 KWords

Mapping of D950 I memory space (1 Word = 16 bit)

9.1 DPRAM memory map [0x8000]

The base address of the DPRAM is 0x8000 in the X memory space.

The base address of control registers is 0xA800 in the X memory space
 For a description of DPRAM protocol refer to the DPRAM section in the ARM domain.



Address	Register Name	R/W	Notes
DPORT_regBase+ 0x0	ARM_MAILBOX	R	It contains the pending interrupt requests that notify to the D950 has a message coming from the ARM to read. There is an interrupt line for each message class
DPORT_regBase+ 0x1	ARM_MAILBOX_MASK	R/W	It contains the mask for the ARM_MAILBOX
DPORT_regBase+ 0x2	D950_MAILBOX	R	It contains the pending interrupt requests that notify to the ARM has a message coming from the D950 to read. There is an interrupt line for each message class
DPORT_regBase+ 0x3	D950_MAILBOX_MASK	R	It contains the mask for the D950_MAILBOX

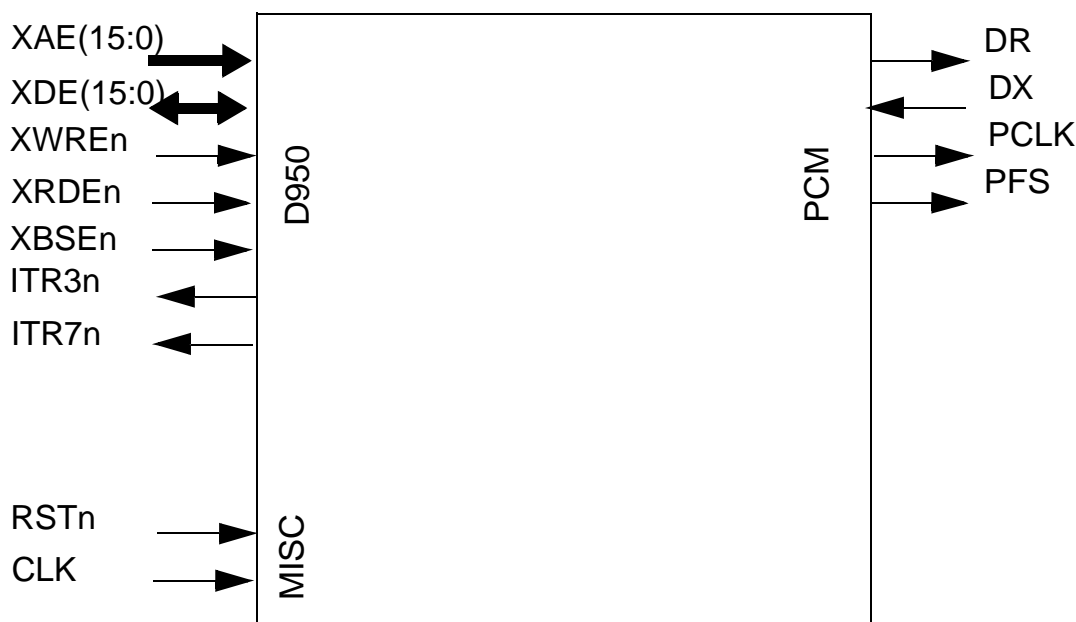
10.0 PCM Interface

The PCM interface is used to actually send and receive voice samples.

On the other side, the PCM Block has an interface to the D950 Xbus.

Moreover two other signals to feed the master clock and the hardware reset are present.

Figure 14: PCM-block Interconnection Scheme



The PCM interface has 5 main signals:

- DR (output): this is the serial data stream that the PCM sends to the codec
- DX (input): this is the serial data stream sent by the codec and received by the PCM block
- PCLK (input/output): this is the PCM clock sent to codec. In the application, the frequency is 2.048Mhz. The PCM clock can be generated by the PCM block from internal Master clock or can be input externally, according to the bit CLKEN in configuration register
- PFS (input/output): this signal is asserted high when the frame number zero is present on the serial data stream; it is possible to program the codec so that the PCM block asserts this signal on a given frame (FS). The same frame number is always present in the same time on DR and DX. The PFS can be generated by division from PCLK or can be input externally, according to FSEN in the configuration register.

10.1 Miscellaneous Interface

This interface has two signals:

- RSTn (input): this is the hardware active low reset
- CLK (input): this is the master input clock coming from the external oscillator at 2.048Mhz in the current application.

10.2 Interrupt Event Management

There are two interrupt lines that goes to the D950.

- ITR3 line (Overrun)
- ITR7 line (Frame synch).

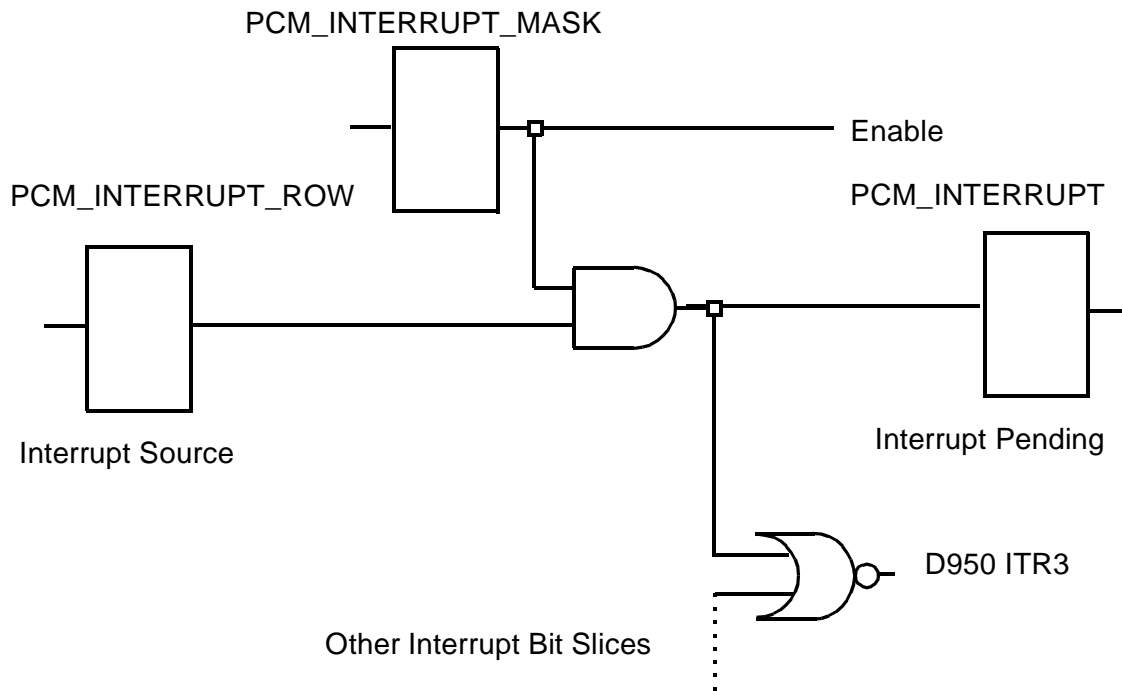


Figure 15: Interrupt Block

10.3 Clock Distribution

- The PCM block works at 2.048Mhz clock and it is a fully synchronous design at that frequency. No gated clock, no latches are used.
- The design is able to support also higher PCM hierarchies such as 4.096Mhz and 8.196Mhz.
- The D950 interface works as a clock stage decoupling block. It can be accessed externally at 66Mhz, while internally it works at 2.048Mhz.

10.4 Reset Distribution and Configuration

- The PCM block has an explicit active low reset pin controlled by ARM.
- A software reset is implemented in the PCM_CONFIGURATION register at the address 0x0002.
- In the PCM_CONFIGURATION register there is also a bit that configures the FPGA itself as linear or PCM coding.

10.5 Data Flow Management

Per each direction the PCM block contains a double buffer used to store and forward the voice samples. This has to be big enough to store all (four) voice samples coming (and going) from (to) the SLICs contained in one PCM frame. Actually the number of bits per voice channel per PCM frame is 8 in case of PCM coding (A low or u low) and 16 in case of linear coding. Other bits are used to provide information about the number of the logic channel the frame is associated with.

So, it is necessary to have two memory banks per direction.

For example, in the upstream direction (from the codec to the D950), one bank is used to store the incoming voice samples (on-line bank) and the other used to keep the voice samples received in the previous PCM frame (off-line bank) while they are read by the D950. This mechanism is needed because the PCM flow is synchro-

nous and cannot be stopped.

The memory banks are swapped between them on PCM frame basis; so while the incoming information is written in the on-line memory, the D950 can read the information contained in the previous PCM frame from the off-line memory bank. Every PCM frame (FS signal based) the on-line memory becomes off-line and viceversa. This swap is transparent for the D950 so that the D950 sees the two memory banks located always at the same addresses.

The same scheme in a different hardware block implements the memory buffer for the downstream flow (from the D950 to the codec).

10.6 Basic Operation

The PCM block uses the reference clock to generate an internal time base. For example, it generates the FS signal with the proper timing. Then an internal register has to store the association between the voice channel (SLIC) and the PCM slots according to the configuration of the codec (DRA# and DXA# registers). The FS signal is sent not only to the codec, but also to the D950 (through ITR7), in order to give it the proper timing reference. So, between two subsequent FS signals, the D950 has to read back from the PCM block the voice samples of the previous PCM frame and has to write in it the PCM samples of the several voice channels that the PCM block itself will send to the codec in the following PCM frame.

So the ITR7 is an 8Khz interrupt signal that provides the timing reference to the D950.

10.7 PCM coding Voice Frame

This section describes the operation of the PCM block in case of PCM coding of the voice samples (LIN bit of the codec CONF register set to 0x0). In this case each voice sample has 8 bits, plus 3 miscellaneous bits per channel. So a total of 2 direction x 2 banks x 4 channels x 11 bits each (176 bits) are needed. This memory is implemented internally in the PCM block.

The PCM_VOICE_FRAME_FROM_CODEC_x (x=0..3) and the PCM_VOICE_FRAME_TO_CODEC_x (x=0..3) are used to store upstream and downstream voice channel x.

Selection between PCM and linear coding is done in the PCM_CONFIGURATION register

PCM Coding Upstream Basic Operation (from the codec to the D950)

The PCM voice samples coming from the codec are inserted in the on-line upstream memory. In the same PCM slot, the D950 accesses at the off-line upstream memory through the PCM_VOICE_FRAME_FROM_CODEC_x register connected to off-line memory. If during a PCM frame, the D950 left some unread voice data in the off-line memory (in the meantime became on-line) an interrupt even is generated (OV_U bit of the PCM_INTERRUPT register).

10.8 Linear coding Voice Frame

If the linear coding (LIN bit of the codec CONF register set to 0x1) is selected, each voice sample is coded as a 16 bit two's complement. This means that each voice channel takes two PCM slot to transport the voice information. For example, considering the channel x (x=0..3), for the upstream flow (voice sample from the codec to the D950), the 8 most significant bits are transported in the PCM slot reported in the PCM_SLOT_UP field of the PCM_SLOT_FROM_CODEC_x register while 8 less significant bits are transported in the following At reset PCM_LIN_DATA_DOWN=0x0000.

x values: 0..3.

10.9 PCM Register List

This section reports the list of the PCM block registers in the D950 domain. The address is referred to the base address where the PCM block is placed on. In other words, they are displacement addresses. The D950 cannot

access the ARM7 memory space.

Register List

Address	Register Name	Description
0x0000	PCM_RESET	Reset Register
0x0001	n/a	
0x0002	n/a	
0x0003	n/a	
0x0004	PCM_SLOT_FR OM_CODEC_0	Upstream PCM slot Register for Voice Channel 0
0x0005	PCM_SLOT_FR OM_CODEC_1	Upstream PCM slot Register for Voice Channel 1
0x0006	PCM_SLOT_FR OM_CODEC_2	Upstream PCM slot Register for Voice Channel 2
0x0007	PCM_SLOT_FR OM_CODEC_3	Upstream PCM slot Register for Voice Channel 3
0x0008	PCM_SLOT_TO_ CODEC_0	Downstream PCM slot Register for Voice Channel 0
0x0009	PCM_SLOT_TO_ CODEC_1	Downstream PCM slot Register for Voice Channel 1
0x000A	PCM_SLOT_TO_ CODEC_2	Downstream PCM slot Register for Voice Channel 2
0x000B	PCM_SLOT_TO_ CODEC_3	Downstream PCM slot Register for Voice Channel 3
0x000C	PCM_INTERRUPT	Interrupt

Address	Register Name	Description
0x000D	PCM_INTERRUPT_MASK	Interrupt Mask
0x000E	PCM_INTERRUPT_ROW	Interrupt Row
0x000F	n/a	
0x0010	PCM_VOICE_FRAME_FROM_CODEC_0	Upstream Voice Sample Register for channel 0
0x0011	PCM_VOICE_FRAME_FROM_CODEC_1	Upstream Voice Sample Register for channel 1
0x0012	PCM_VOICE_FRAME_FROM_CODEC_2	Upstream Voice Sample Register for channel 2
0x0013	PCM_VOICE_FRAME_FROM_CODEC_3	Upstream Voice Sample Register for channel 3
0x0014	PCM_VOICE_FRAME_TO_CODE_C_0	Downstream Voice Sample Register for channel 0
0x0015	PCM_VOICE_FRAME_TO_CODE_C_1	Downstream Voice Sample Register for channel 1
0x0016	PCM_VOICE_FRAME_TO_CODE_C_2	Downstream Voice Sample Register for channel 2
0x0017	PCM_VOICE_FRAME_TO_CODE_C_3	Downstream Voice Sample Register for channel 3
0x0018	PCM_LINEAR_VOICE_FRAME_FROM_CODEC_0	Upstream Linear Voice Sample Register for ch 0

Address	Register Name	Description
0x0019	PCM_LIN_VOICE_FRAME_FORMAT_CODEC_1	Upstream Linear Voice Sample Register for ch1
0x001A	PCM_LIN_VOICE_FRAME_FORMAT_CODEC_2	Upstream Linear Voice Sample Register for ch 2
0x001B	PCM_LIN_VOICE_FRAME_FORMAT_CODEC_3	Upstream Linear Voice Sample Register for ch 3
0x001C	PCM_LIN_VOICE_FRAME_TO_CODEC_0	Downstream Linear Voice Sample Register for ch 0
0x001D	PCM_LIN_VOICE_FRAME_TO_CODEC_1	Downstream Linear Voice Sample Register for ch 1
0x001E	PCM_LIN_VOICE_FRAME_TO_CODEC_2	Downstream Linear Voice Sample Register for ch 2
0x001F	PCM_LIN_VOICE_FRAME_TO_CODEC_3	Downstream Linear Voice Sample Register for ch 3

11.0 Electrical Specifications and Timings

Table 1. Absolute Maximum Ratings

Parameter	Value
Supply Voltage(Vcc)	-0.5 V to 7.0 V
Input Voltage	-0.5 V to VCC + 0.5 V
Output Voltage	-0.5 V to VCC + 0.5 V
Storage Temperature	-65 °C to 150 °C(-85°F to 302°F)
Ambient Temperature	0°C to 70°C(32°F to 158°F)
ESD Protection	2000V

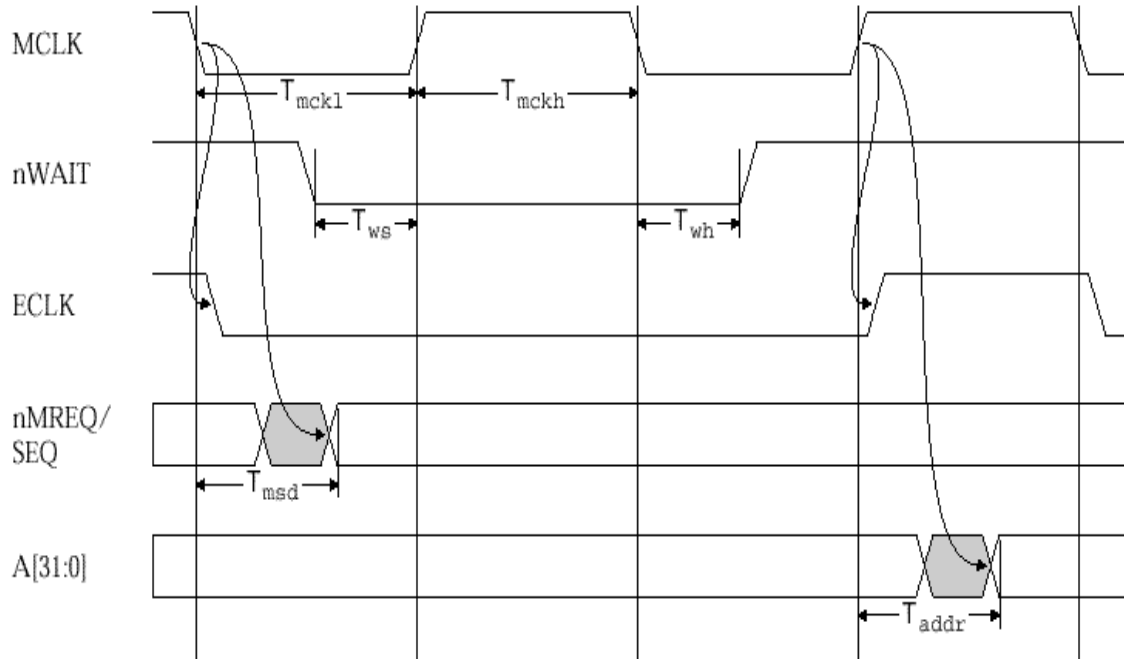
Table 2. General DC Specifications

Symbol	Parameter	Test Condition	Min.	Typ.	Max.	Units
General DC						
Vdd3	Supply Voltage		3.15	3.3	3.45	V
Vdd	Core Supply Voltage		2.35	2.5	2.65	V
Idd3	Operating Current			70		mA
Idd	Operating Current			170		mA
Voltage/Current Characteristics						
V _{IL}	Input low level		0		0.2VDD	V
V _{IH}	Input high level		0.8VDD		VDD	V
V _{OL}	Output low level				0.4	V
V _{OH}	Output high level		0.85VDD			V

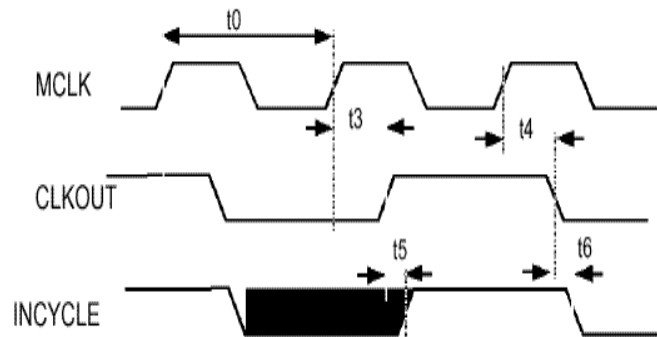
Table 3. General AC Specifications

ARM AC Characteristics						
Tmckl	MCLK LOW time		15.1			ns
Tmckh	MCLK HIGH time		15.1			ns
Tws	nWAIT setup to MCLKr		2.3			ns
Twh	nWAIT hold from CKf		1.1			ns
Taddr	MCLKr to address valid				14.0	ns
Tmsd	MCLKf to nMREQ & SEQ valid				17.9	ns
Tah	Address hold time from MCLKr		2.4			
Trwd	MCLKr to nRW valid				14.0	
Trwh	nRW hold time from MCLKr		2.4			
Tcdel	MCLK to ECLK delay				2.9	
Trstl	nRESET LOW for guaranteed reset		2 MCLK cycles			
D950 AC Characteristics						
t0	Master clock cycle time			7.5		ns
t3	CLKOUT high delay			4.0		ns
t4	CLKOUT low delay			3.3		ns
t5	INCYCLE high delay			-0.1		ns
t6	INCYCLE low delay			-0.5		ns

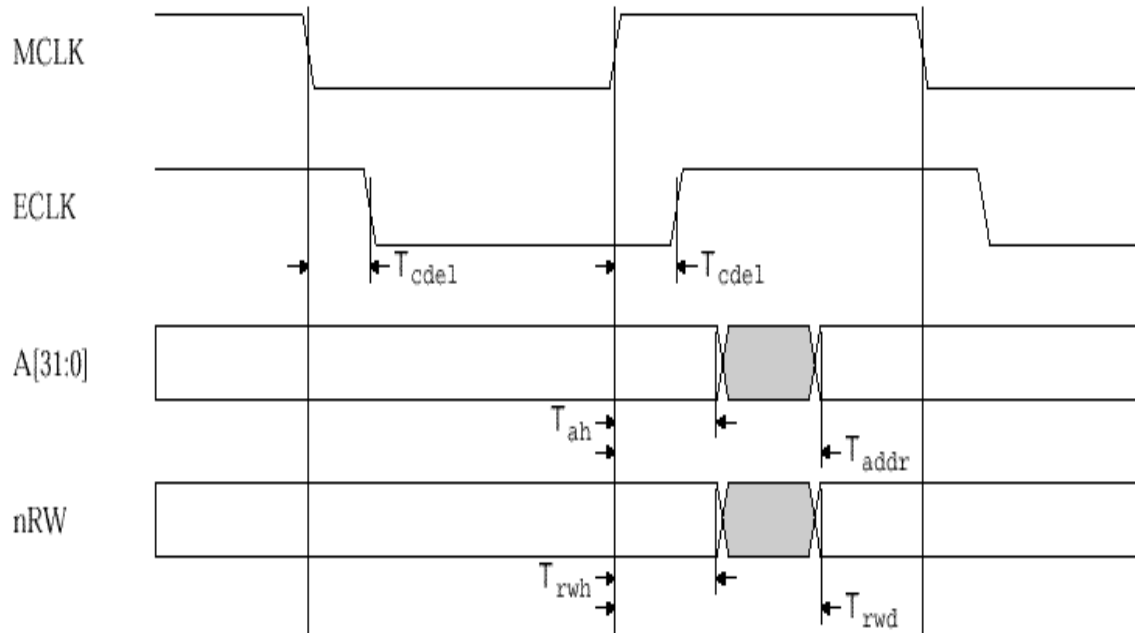
ARM MCLK Timing Characteristics



D950 Clock Timing Diagram

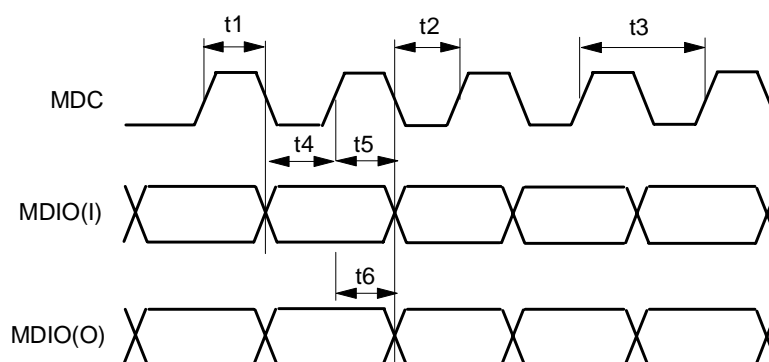


General ARM Timings



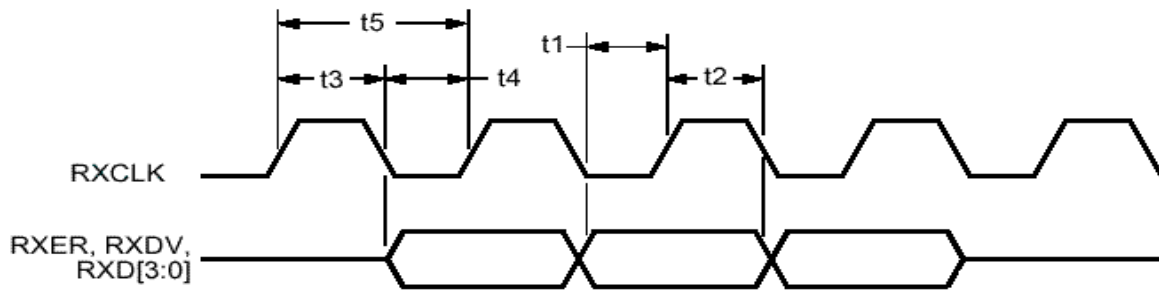
MII Management Clock Timing Specifications						
t1	MDC Low Pulse Width		200		—	ns
t2	MDC High Pulse Width		200		—	ns
t3	MDC Period		400		—	ns
t4	MDIO(I) Setup to MDC Rising Edge		10		—	ns
t5	MDIO(O) Hold Time from MDC Rising Edge		10		—	ns
t6	MDIO(O) Valid from MDC Rising Edge		0		300	ns

MII Management Clock Timing



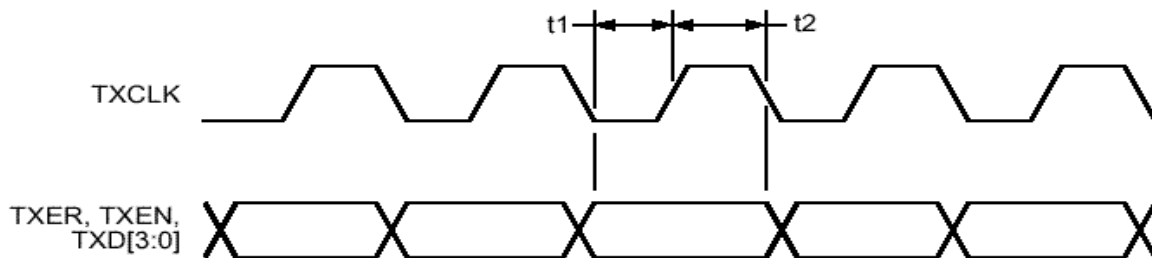
Symbol	Parameter	Test Condition	Min.	Typ.	Max.	Units
MII Receive Timing Specification						
t1	RX-ER, RX-DV, RXD[3:0] Setup to RX-CLK		10		—	ns
t2	RX-ER, RX-DV, RXD[3:0] Hold After RX-CLK		10		—	ns
t3	RX-CLK High Pulse Width (100 Mbits/s)		14		26	ns
	RX-CLK High Pulse Width (10 Mbits/s)			200		ns
t4	RX-CLK Low Pulse Width (100 Mbits/s)		14		26	ns
	RX-CLK Low Pulse Width (10 Mbits/s)		140		260	ns
t5	RX-CLK Period (100 Mbits/s)			40		ns
	RX-CLK Period (10 Mbits/s)			400		ns

MII Receive Timing

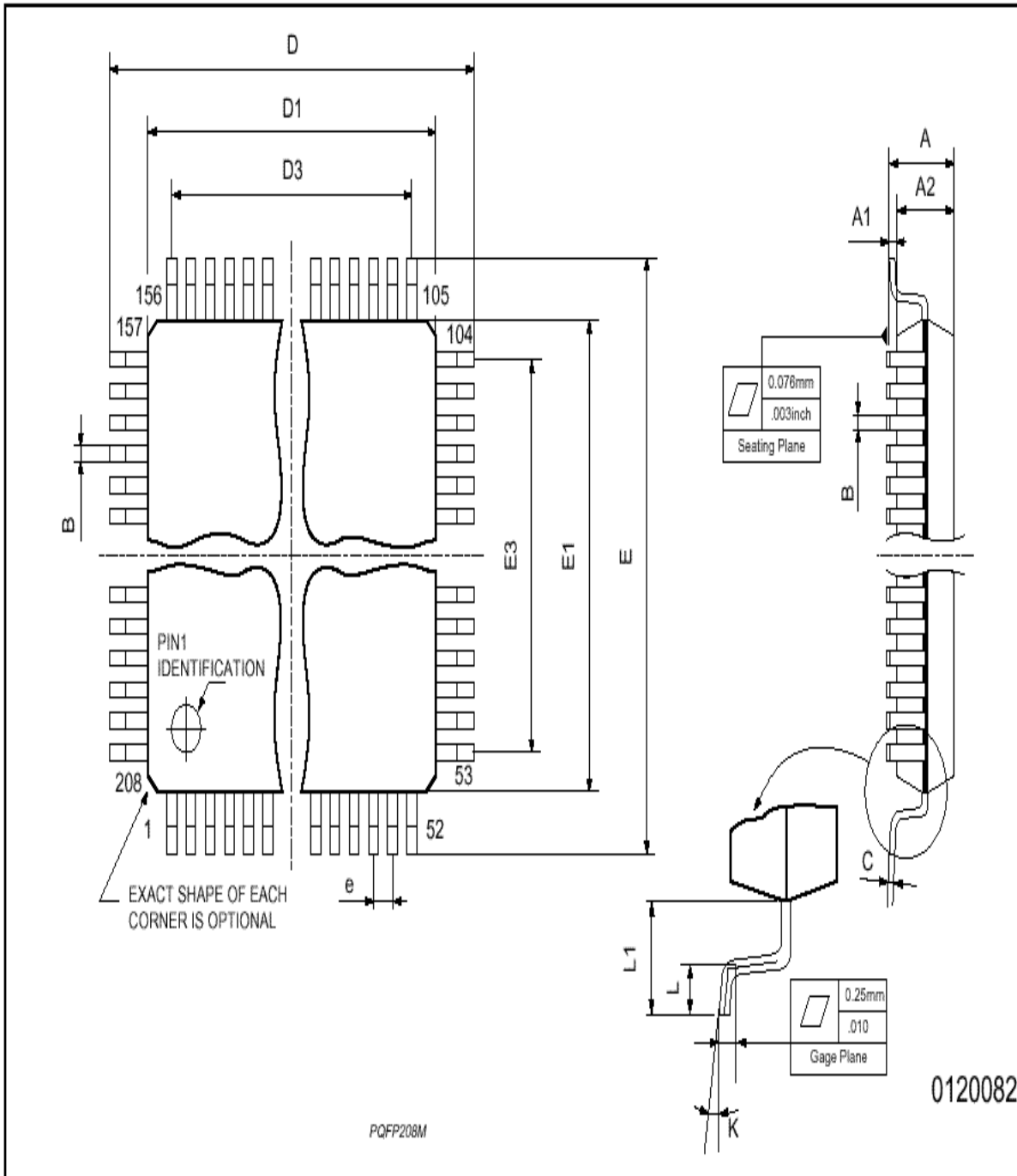


Symbol	Parameter	Test Condition	Min.	Typ.	Max.	Units
MII Transmit Timing Specification						
t1	TX-ER, TX-EN, TXD[3:0] Setup to TX-CLK Rise		10		—	ns
t2	TX-ER, TX-EN, TXD[3:0] Hold After TX-CLK Rise		0		25	ns

MII Transmit Timing



12.0 PACKAGE



Package Type: PQFP 208 / Body 28X28X3.49mm

REF	Dimensions mm			Dimensions inch		
	MIN.	TYP.	MAX.	MIN.	TYP.	MAX.
A			4.10			0.161
A1	0.25			0.010		
A2	3.40	3.20	3.60	0.134	0.126	0.142
B	0.17		0.27	0.007		0.011
C	0.09		0.20	0.003		0.008
D		30.60			1.205	
D1		28.00			1.102	
D3		25.50			1.004	
e		0.50			0.020	
E		30.60			1.205	
E1		28.00			1.102	
E3		25.50			1.004	
L	0.45	0.60	0.75	0.018	0.024	0.029
L1		1.30			0.51	
K	0 deg. (min), 3.5 deg. (typ.), 7 deg.(max)					

Information furnished is believed to be accurate and reliable. However, STMicroelectronics assumes no responsibility for the consequences of use of such information nor for any infringement of patents or other rights of third parties which may result from its use. No license is granted by implication or otherwise under any patent or patent rights of STMicroelectronics. Specifications mentioned in this publication are subject to change without notice. This publication supersedes and replaces all information previously supplied. STMicroelectronics products are not authorized for use as critical components in life support devices or systems without express written approval of STMicroelectronics.

The ST logo is a registered trademark of STMicroelectronics
 © 2002 STMicroelectronics - All Rights Reserved

STMicroelectronics GROUP OF COMPANIES
 Australia - Brazil - China - Finland - France - Germany - Hong Kong - India - Italy - Japan - Malaysia - Malta - Morocco - Singapore - Spain
 - Sweden - Switzerland - United Kingdom - U.S.A.
<http://www.st.com>



